

SPECIFICATIONS

CONTACT RATING: Dependent upon contact material See Page 36.

MECHANICAL LIFE: 30,000 make-and-break cycles.

CONTACT RESISTANCE: 20 mΩ max. initial @ 2-4VDC
100mA for both silver and gold plated contacts.

INSULATION RESISTANCE: 1,000 MΩ min.

DIELECTRIC STRENGTH: 1,000 Vrms min. @sea level.

OPERATING TEMPERATURE: -30°C to 85°C.

MATERIALS

CASE & BUSHING: Glass filled nylon 6/6, flame retardant, heat stabilized (UL94v-0).

ACTUATOR: Brass, chrome plated, internal O-ring seal.
Standard for all actuators.

SWITCH SUPPORT: Brass, tin plated.

CONTACT / TERMINALS: Copper alloy, with Silver or gold plated.
(See Page 36)

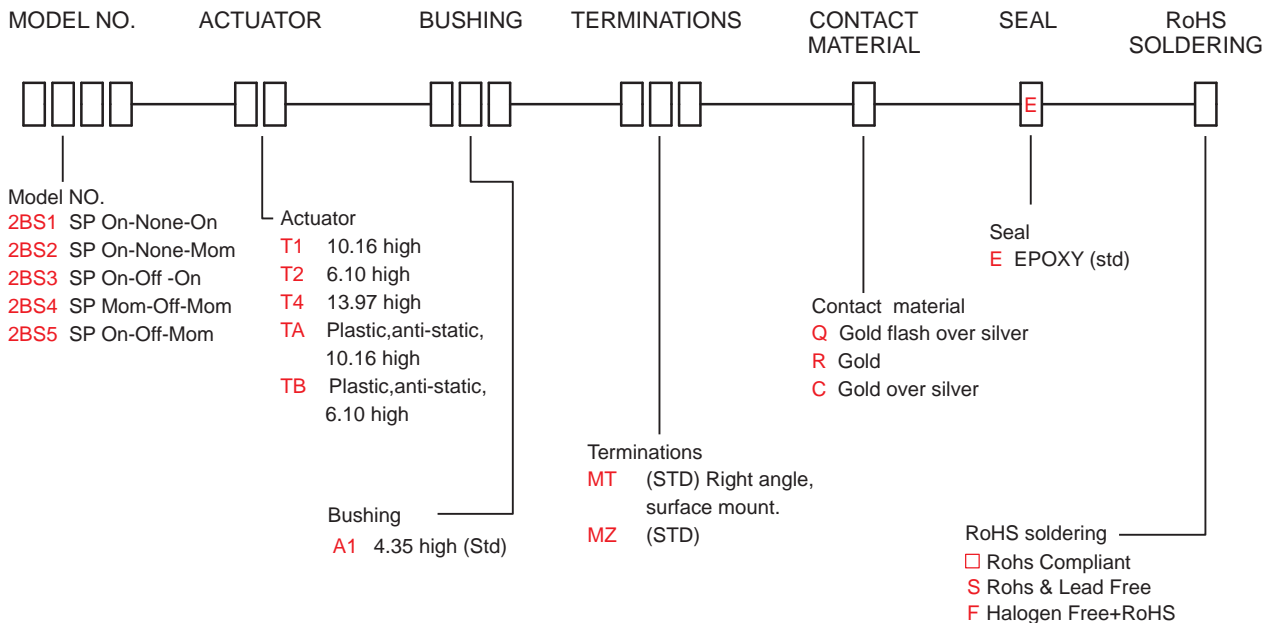
IP 67
ACCORDING TO
EN 60529:1991+A1:2001
IEC 60529:2001

UL US
E 187490

RoHS
compliant

Pb
lead-free

HOW TO ORDER



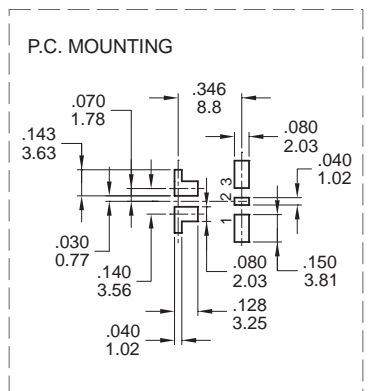
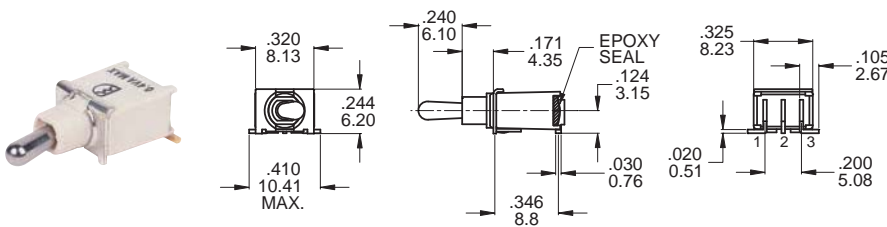
SWITCH FUNCTION

| NO. POLES | UL/CSA MODEL NO. | MODEL NO. | SWITCH FUNCTION | | | CONNECTED TERMINALS / SCHEMATIC | | |
|-----------|------------------|-----------|-----------------|-------|-------|---------------------------------|-------|-------|
| | | | POS.1 | POS.2 | POS.3 | POS.1 | POS.2 | POS.3 |
| | | | | | | | | |
| SP | Q22B11 | 2BS1 | ON | NONE | ON | 2-3 | N/A | 2-1 |
| | Q22B12 | 2BS2 | ON | NONE | MOM | | | |
| | Q22B13 | 2BS3 | ON | OFF | ON | | | |
| | Q22B14 | 2BS4 | MOM | OFF | MOM | | OPEN | |
| | Q22B15 | 2BS5 | ON | OFF | MOM | | | |

MOM=MOMENTARY

POLE OPTIONS

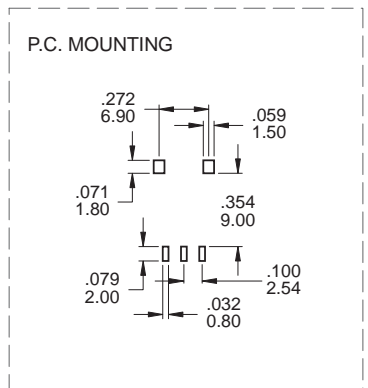
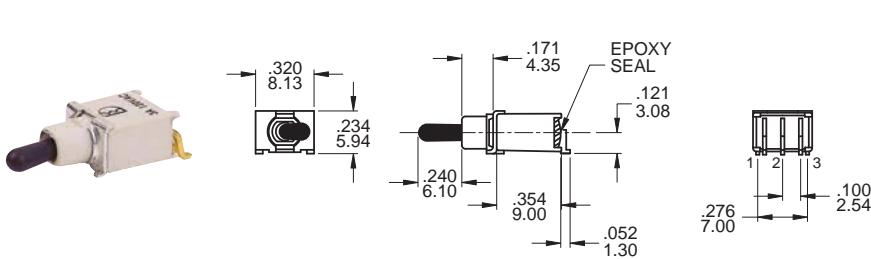
MT



SPDT

Part No. Shown : 2BS1T2A1MTRE

MZ

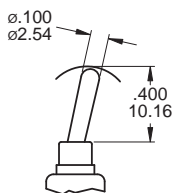


SPDT

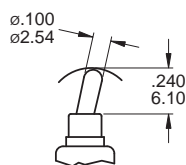
Part No. Shown : 2BS1TBA1MZRE

ACTUATOR OPTIONS

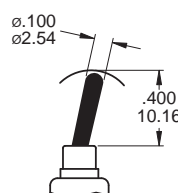
T1



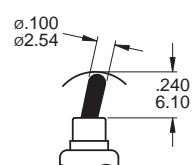
T2



TA



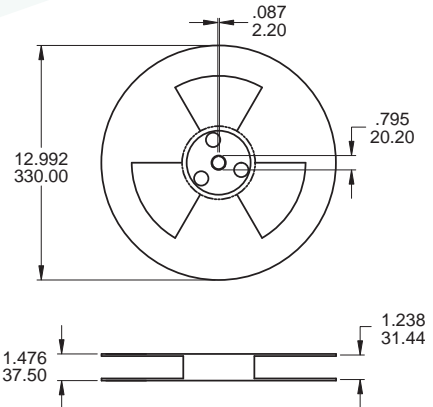
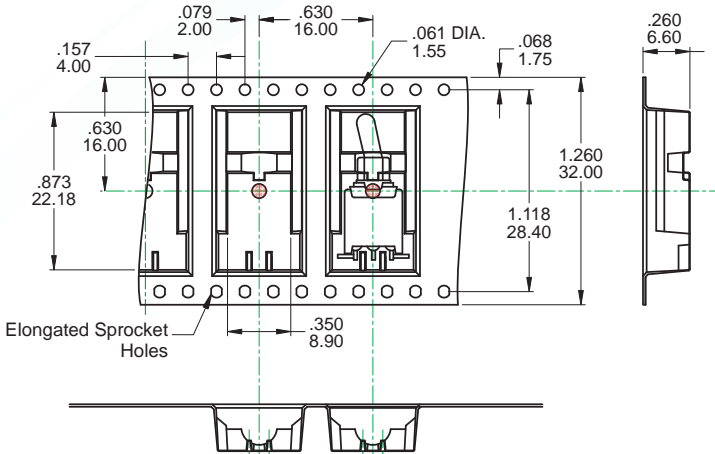
TB



ESD
PLASTIC ACTUATOR

PACKAGING

Switches available on embossed antistatic tape and reels.
Tape and cover strip are conductive for use near statically sensitive components.



| REEL INFORMATION | |
|-------------------|-----------|
| QUANTITY PER REEL | 500 / pcs |

CONTACT MATERIAL OPTIONS

| | CONTACT PLATING | TERMINAL PLATING | RATINGS |
|---|------------------|----------------------------|---|
| Q | Silver | Q = Gold flash over silver | 3 Amps with resistant load @ 120VAC or 28VDC 1 Amps with resistant load @ 250VAC |
| C | Gold over Silver | C = Gold over silver | |
| R | Gold | R = Gold | 0.4 Volt - Amps (VA) max. @ 20V max. (AC or DC) |

SOLDERING PROCESSES

WAVE SOLDERING:

Recommended Soldering Temperature: $260 \pm 5^\circ\text{C}$
Duration of Solder Immersion: Max 5 sec.
(PCB is 1.6mm in thickness)

SOLDERING: Vapor phase & IR-reflow soldering can be applied.

Temperature Profile

| Zone | Room Temperature | Time (Sec) |
|--------------|------------------|------------|
| Pre-heat (A) | 150°C | Min 120s |
| Soak (B) | 180°C ~ 200°C | Min 150s |
| Peak (C) | 200°C ~ 235°C | Min 30s |
| Peak (D) | 235°C ~ 260°C | Min 40s |
| Peak (E) | 260°C | Max 5s |

