

General Specifications

Circuit	:SPST
Current Rating	:50mA @ 12VDC
Contact Resistance	:100mOhm Max.(initial)
Insulation Resistance	:100MOhm Min.
Operating Force	:220gf± 50gf
Total Travel	:0.3mm± 0.1mm
Operating Life	:1,000,000 cycles Min.
Operating Temperature	:-10 deg.~+60 deg.
Solder Specifications	:260 deg. for 3 seconds

Materials

Cover	:Polycarbonate (PC)
Reflector	:Polyamide(PA)
Base	:LCP
Action Dome	:Stainless steel with silver plating
Terminal	:Phosphor bronze (PBS) with gold plating

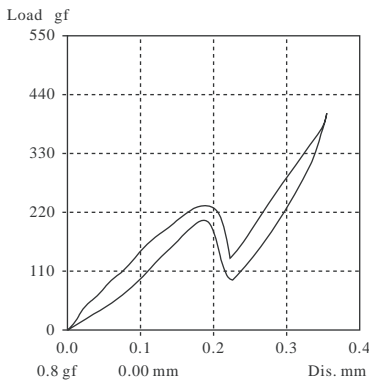
HOW TO ORDER

SPD

Dimension TYPE			Terminal TYPE		LED Colors		Cap Colors		CAP Option	
0	K10	9	P	Through hole	0	Without LED	1	Red	9	P204
2	K12	12	S	SMD	1	Red	2	Yellow		(For SPD0)
G	K11.5	11.5	T	SMD	2	Super Yellow	3	Green	12	P205
				Taping reel (350PCS/reel)	3	Green	4	White		(For SPD2)
					5	Pure Green	T	Transparent	11.5	P213
					4	White	6	Orange		(For SPDG)
					4	White	7	Blue		
					7	Blue	A	Ice		
					E	Red/Blue	B	Snow		
					8	RGB(common cathode(-))	--	without		
					9	RGB(common anode(+))		(SPD0 only)		

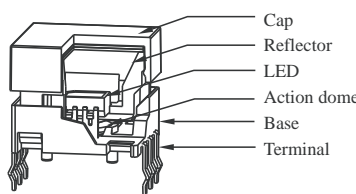
EXAMPLE:
 SPD0P22YCA047TD
 See CAP Option

※ Not to conform to SPDG.
 ※ Cap colors 4(White), B(Snow) are SPD0 standard option.

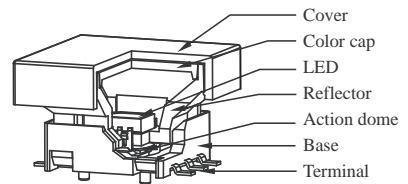


Features

- Bright LEDs of Single, Dual or RGB colors available.
- Full face illumination.
- Small and short body for mounting in tight spaces.
- Snap-acting contact mechanism.
- Build your own legend.
- Long operating Life.

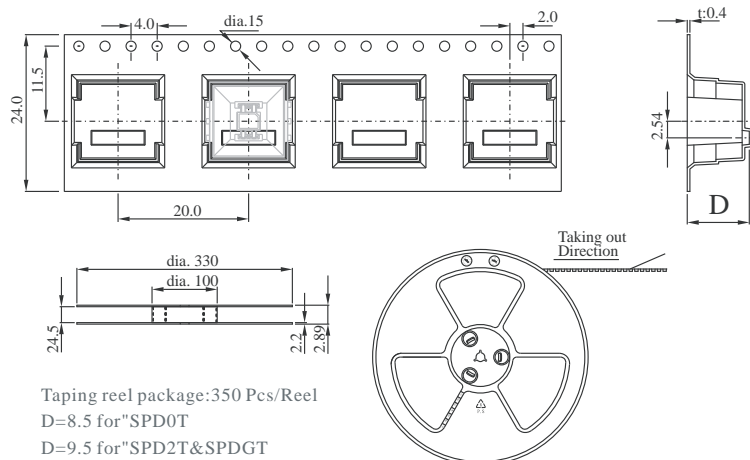


SPD0P



SPD2S

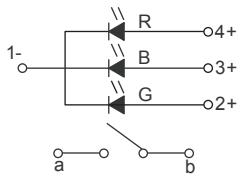
TAPING REEL DIMENSION



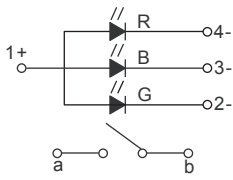
Taping reel package: 350 Pcs/Reel
 D=8.5 for "SPD0T"
 D=9.5 for "SPD2T&SPDGT"



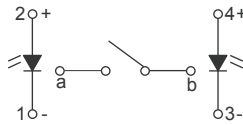
Contact configuration



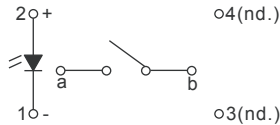
Contact Configuration
Switch with RGB colors LED



Contact Configuration
Switch with RGB1 colors LED

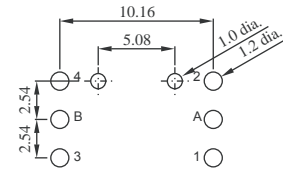


Contact Configuration
Switch with Dual colors LED

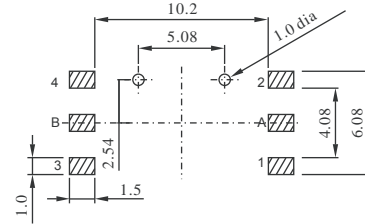


Contact Configuration
Switch with Single color LED

PCB layout



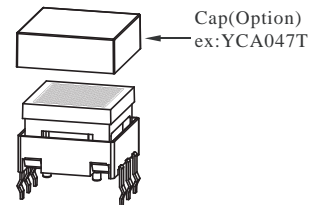
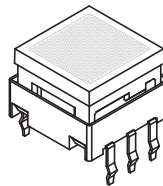
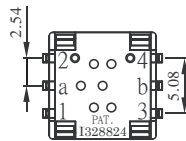
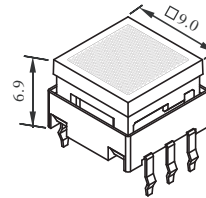
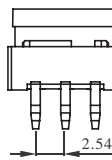
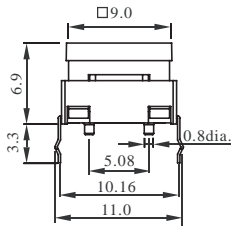
SPD0P
SPD2P



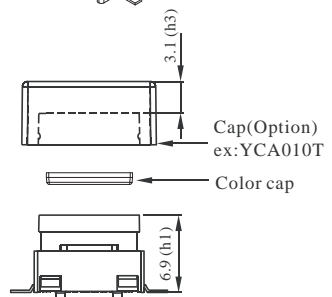
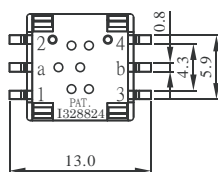
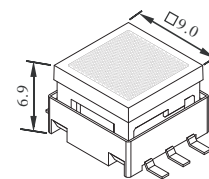
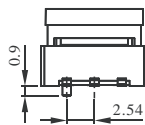
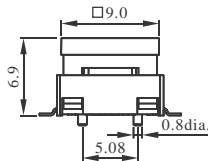
SPD0S
SPD2S

DIMENSION

SPD0P



SPD0S

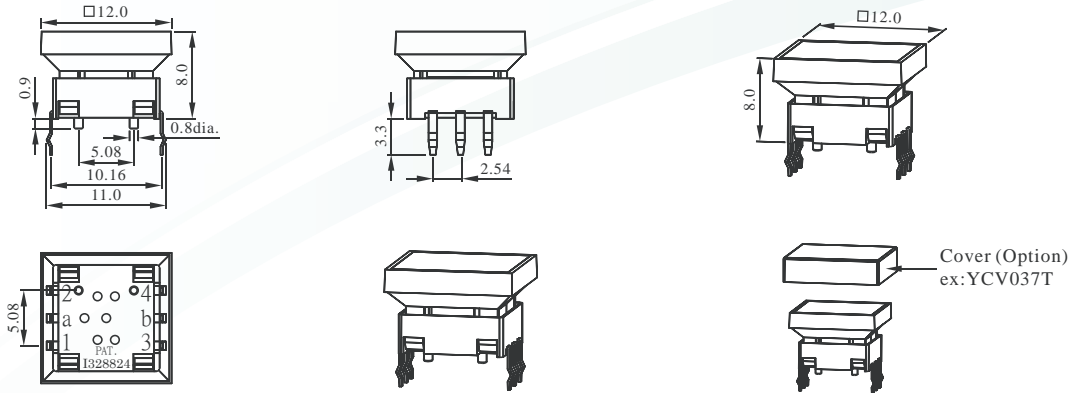


Note:
*Fit the cap and color Cap AFTER soldering process.

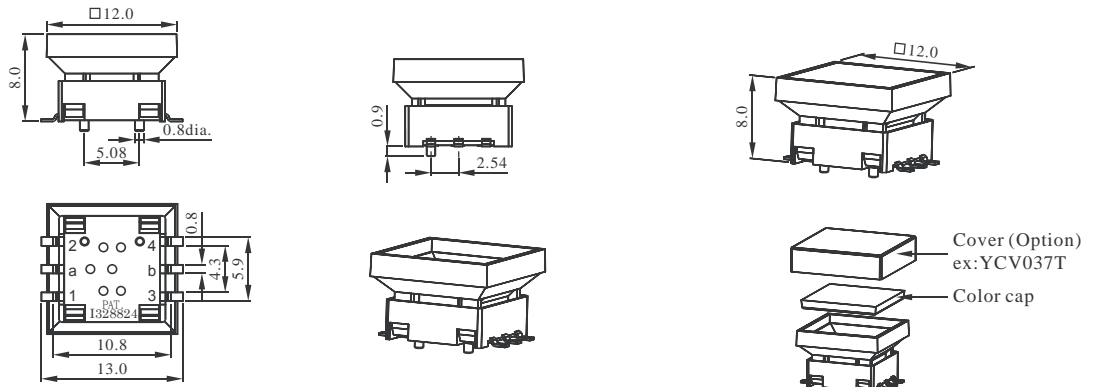
$$(h1) 6.9\text{mm} + (h3) 3.1\text{mm} = (h) 10.0\text{mm}$$

SPD

SPD2P

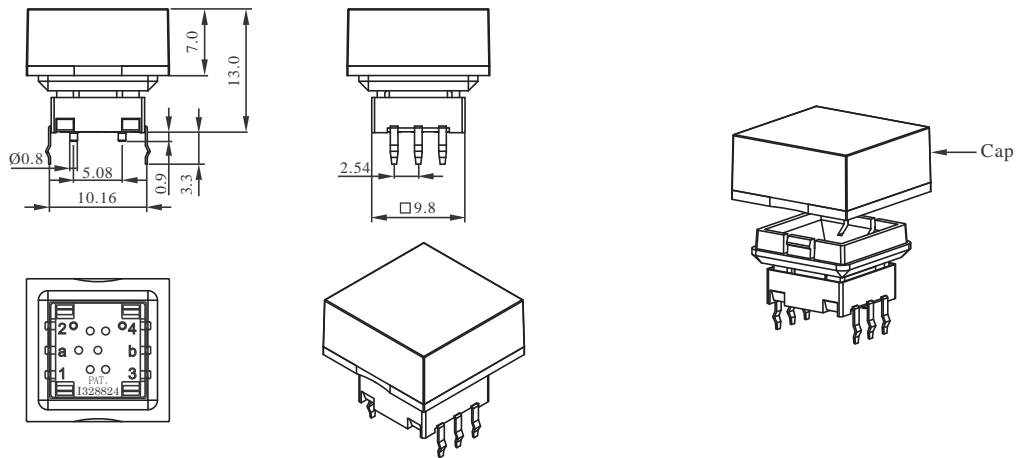


SPD2S

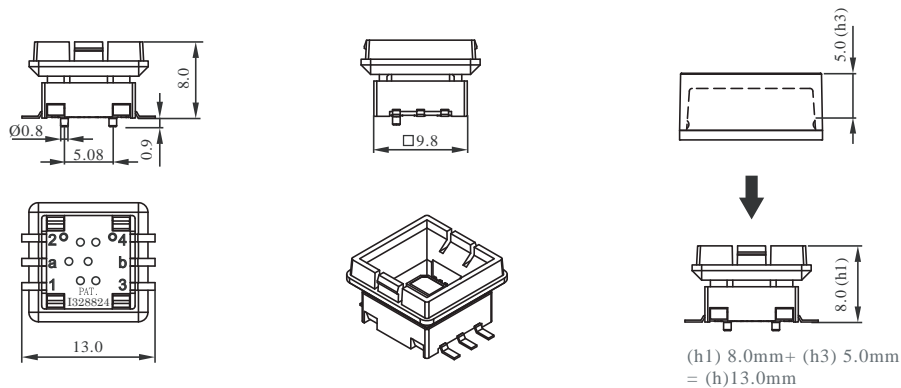


Note:
*Fit the Cover and color Cap AFTER soldering process.

SPDGP

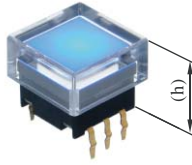


SPDGS

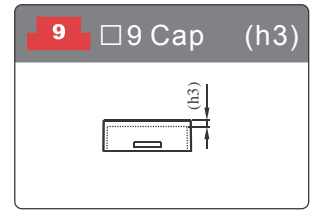
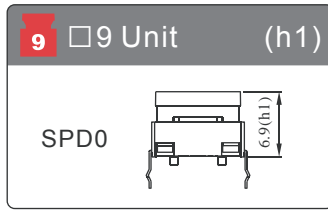


Note:
*Fit the cap AFTER soldering process.

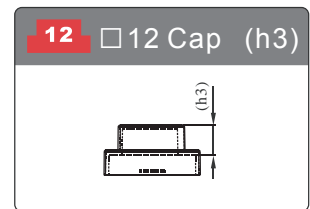
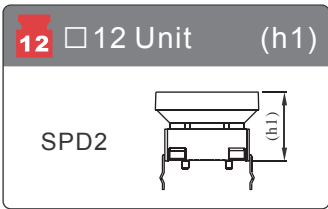
CAP OPTIONS



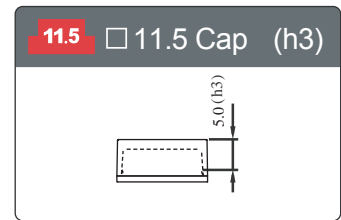
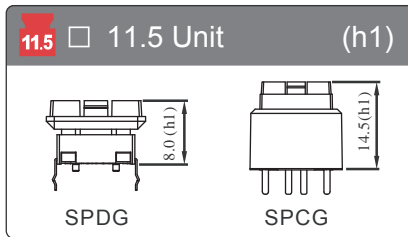
$(h) = (h1) + (h3)$



See Page 203



See Page 204



11.5 □ 11.5 Cap

Shape						
Dimension						
Transparent	—	—	—	—	—	—
Ice	YCS004A	YCS005A	YCS006A	YCS001A	YCS002A	YCS003A
Snow	YCS004B	YCS005B	YCS006B	YCS001B	YCS002B	YCS003B
Transparent Black	—	—	—	—	—	—
Red	YCS0041	YCS0051	YCS0061	YCS0011	YCS0021	YCS0031
Yellow	YCS0042	YCS0052	YCS0062	YCS0012	YCS0022	YCS0032
Green	YCS0043	YCS0053	YCS0063	YCS0013	YCS0023	YCS0033
White	YCS0044	YCS0054	YCS0064	YCS0014	YCS0024	YCS0034
Orange	YCS0046	YCS0056	YCS0066	YCS0016	YCS0026	YCS0036
Blue	YCS0047	YCS0057	YCS0067	YCS0017	YCS0027	YCS0037
SPDG (h)	13.0mm	13.0mm	13.0mm	13.0mm	13.0mm	13.0mm
SPCG (h)	19.5mm	19.5mm	19.5mm	19.5mm	19.5mm	19.5mm