

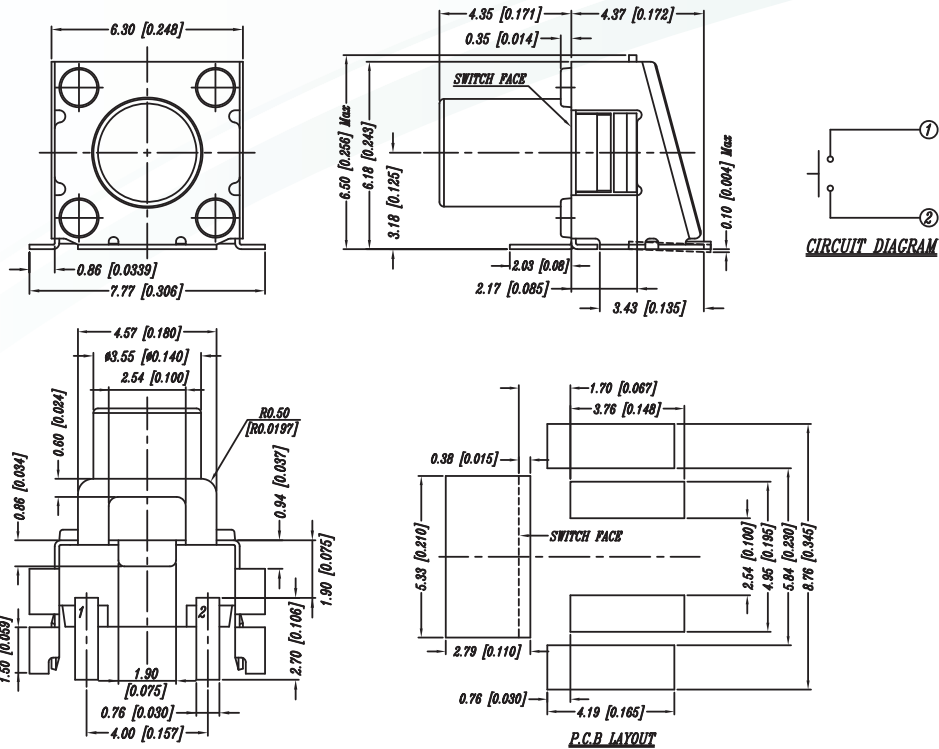
TA3(4)



Distributed in the UK by
Diamond Electronics Limited
 Electronic Component Solutions
 T: +44(0)1477 500450



TA3-1W2-V



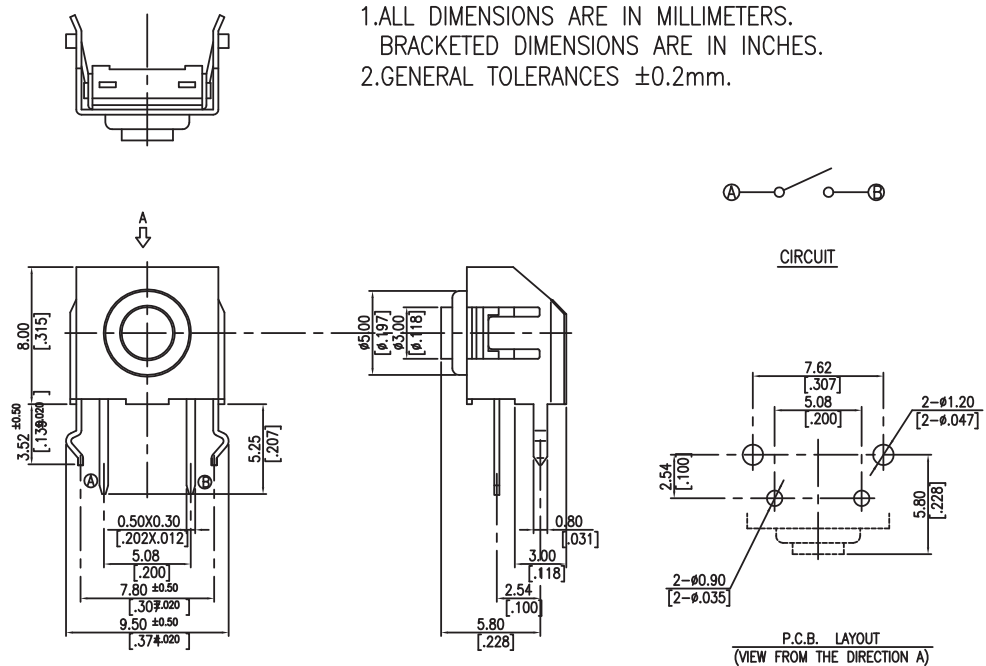
NOTE:
 1. ALL DIMENSIONS ARE IN MILLIMETERS, BRACKETED DIMENSIONS ARE IN INCHES.
 2. GENERAL TOLERANCES MAX. $\pm 0.20\text{mm}$.

PART NAME	
TA3-1□□	Color Of Stem For Operating Force
W2	White ; Operating Force 185±50gf
R3	Red ; Operating Force 300±60gf

TA3 TA4
Tact Switches



TA4-58G1



NOTE:
 1. ALL DIMENSIONS ARE IN MILLIMETERS. BRACKETED DIMENSIONS ARE IN INCHES.
 2. GENERAL TOLERANCES $\pm 0.2\text{mm}$.

