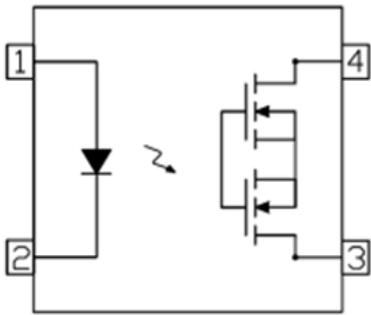


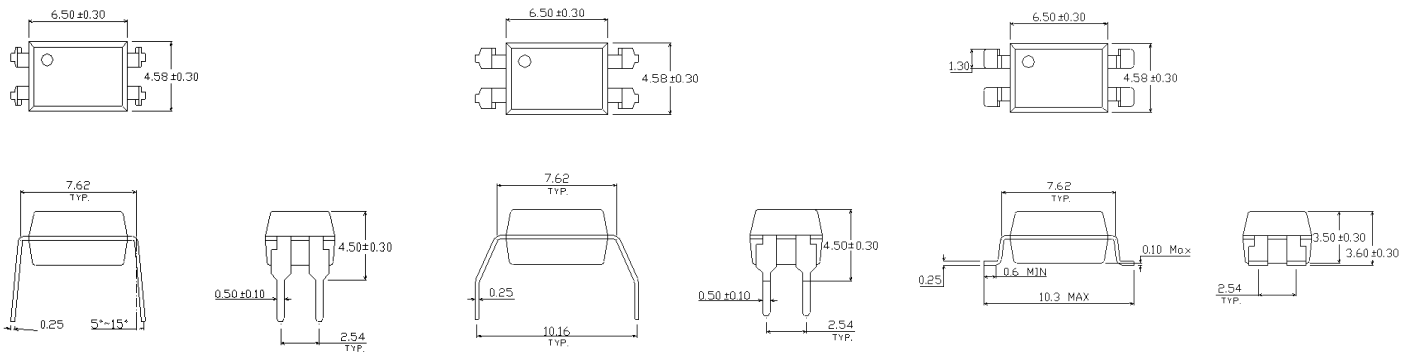
1 Form A

Part Number	Features	Isolation Voltage	T _{OP}	V _L	I _L	I _{L(PEAK)}	I _{F(ON)}	I _{F(OFF)}	R _{D(ON)}	T _{ON}	T _{OFF}
		Min (KV _{RMS})	(°C)	Max (V)	Max (mA)	Max (A)	Max (mA)	Min (mA)	Max (Ω)	Max (ms)	Max (ms)
ISP06	Single Channel Single Pole Single Throw Normally Open Optocoupler	5	-40 - 85	60	550	1.2	5	0.4	2.5	3	0.5
ISP25				250	180	0.5					
ISP40				400	120	0.3					
ISP60				600	50	0.15					

4 Pin Solid State Relay



Standard Packages



6 Pin Solid State Relay

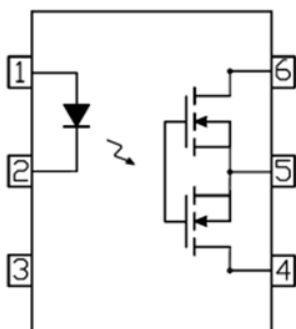
1 Form A

Part Number	Features	Isolation Voltage	T_{OP}	Continuous Forward Current	V_L	I_L	$I_{L(PEAK)}$	$I_{F(ON)}$	$I_{F(OFF)}$	T_{ON}	T_{OFF}
		Min (KV _{RMS})	(°C)	Max (mA)	Max (V)	Max (mA)	Max (A)	Max (mA)	Min (mA)	Max (ms)	Max (ms)
IS06	Single Channel Single Pole Single Throw Normally Open Optocoupler	5	-40 - 85	50	60	550	1.2	3	0.4	3	0.5
IS25					250	180	0.5				
IS40					400	120	0.3				
IS60					600	50	0.15				

$R_{D(ON)}$

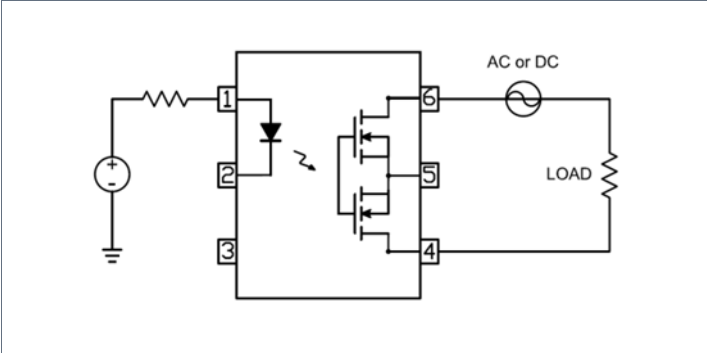
Part Number	$R_{D(ON)A}$	$R_{D(ON)B}$	$R_{D(ON)C}$
	$I_F = 5mA, I_L = Max$ $t = 1s$	$I_F = 5mA, I_L = Max$ $t = 1s$	$I_F = 5mA, I_L = Max$ $t = 1s$
	Output Configuration A	Output Configuration B	Output Configuration C
	Max (Ω)	Max (Ω)	Max (Ω)
IS06	2.5	1	0.5
IS25	15	5	3
IS40	30	20	15
IS60	70	50	30

6 Pin Solid State Relay

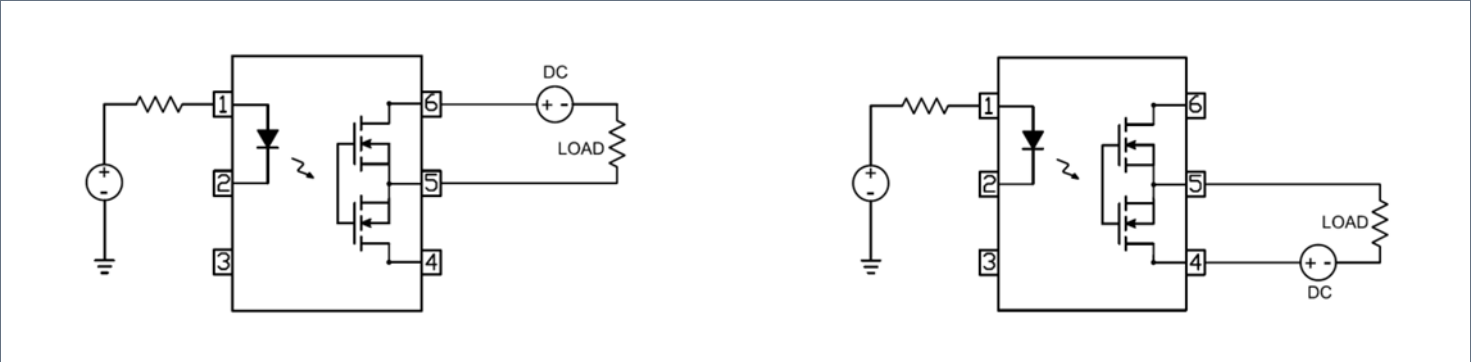


6 Pin Solid State Relay

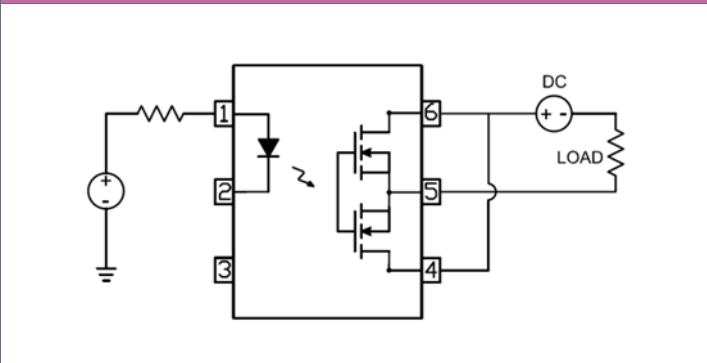
Output Configuration A



Output Configuration B



Output Configuration C



6 Pin Solid State Relay

Standard Packages

