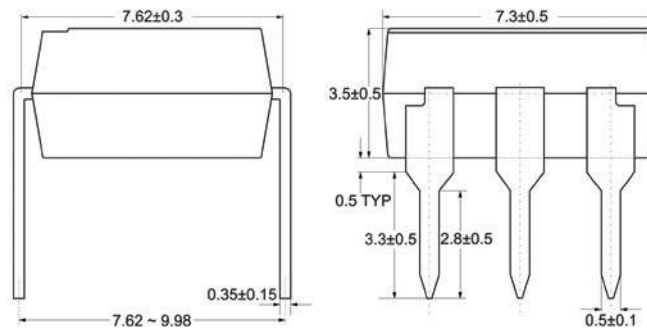
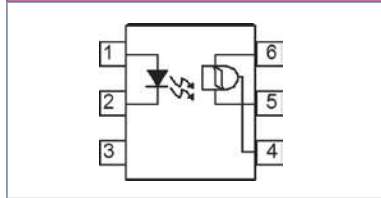


Schmitt Trigger

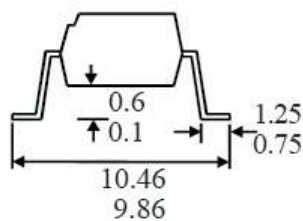
| Part Number | Features | Turn-On Threshold Current $R_L=270\Omega$ $V_{CE}=5V$ Max (mA) | Turn-Off Threshold Current $R_L=270\Omega$ $V_{CE}=5V$ Min (mA) | Isolation Voltage Min (KV) | Continuous Forward Current Max (mA) | V_F $I_F=50mA$ Max (V) | $V_{BR}(LED)$ $I_R=10\mu A$ Min (V) | Output Voltage (Low) $R_L=270\Omega$ $V_{CC}=5V$ Max (V) |
|-------------|---------------------------|-------------------------------------------------------------------------|--------------------------------------------------------------------------|-------------------------------|----------------------------------------|--------------------------------|-------------------------------------------|-------------------------------------------------------------------|
| H11L1 | Microprocessor compatible | 1.6 | 0.3 | 7.5(pk) 5.3(rms) | 50mA | 1.5 | 100 | 0.4 |
| H11L2 | | 10 | | | | | | |
| H11L3 | | 5 | | | | | | |
| H11L4 | | 2.0 | | | | | | |
| IS609 | | 1.6 | | | | | | |
| MOC5007 | | 4 | | | | | | |
| MOC5008 | | 10 | | | | | | |
| MOC5009 | | | | | | | | |

Schmitt Trigger



Lead Form Diagrams

**OPTION SM
SURFACE MOUNT**



OPTION G

