

DC SERIES



D-Sub Crimp Connector

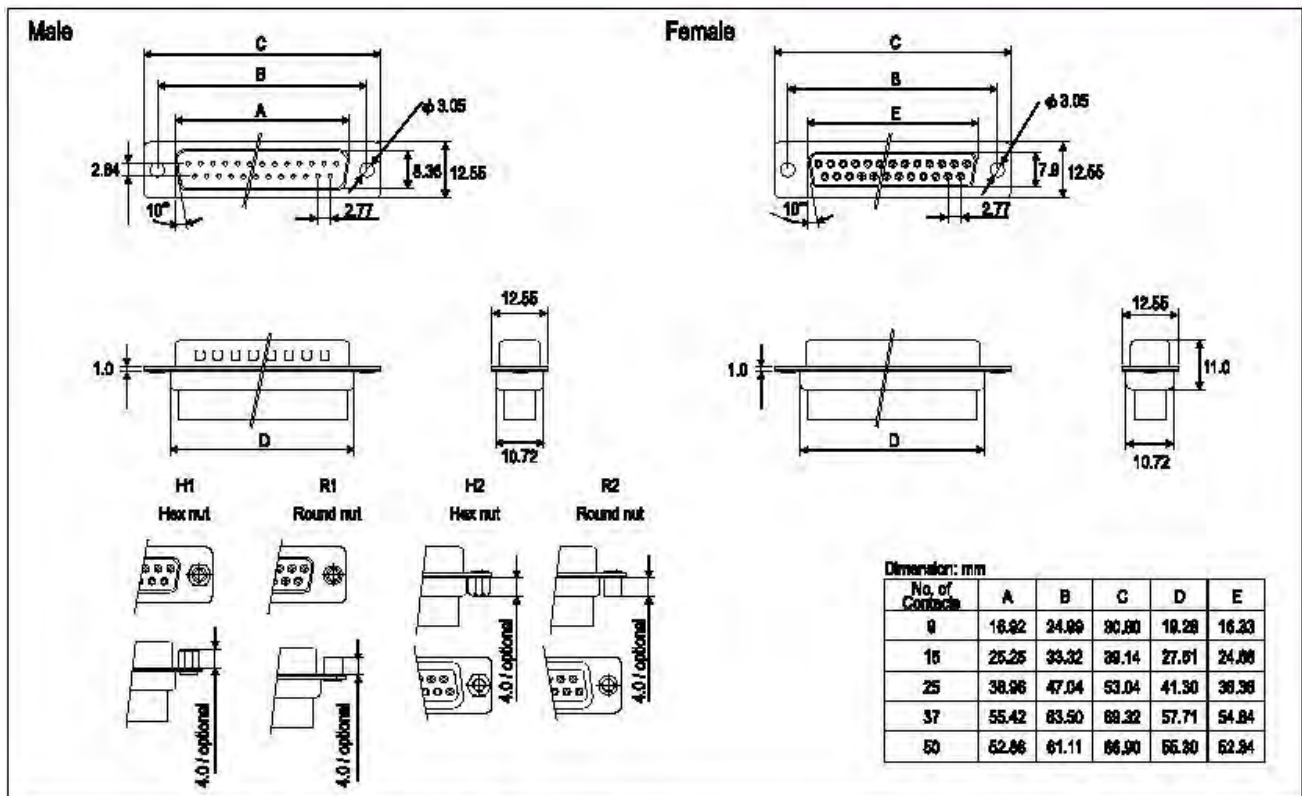
APPLICATION AND FEATURES

Specification

- Contact resistance: 30mΩ max. At DC 100mA
- Insulator resistance: 1000MΩ Min. At DC 500V
- Current rating: 5 AMP

Dielectric withstanding

- Voltage: AC 1000V For 1 minute
- Operating temperature: -55°C ~ +105°C
- Contact: Brass or phosphor bronze
- Housing: PBT & 30% Glass Fiber (UL94V-0)



Unit:mm

ORDERING INFORMATION

Series	No of Contact	Type	Threaded Type
DC	09, 15, 19, 23, 25, 37	P: Male (plug) S: Female (socket)	N: none can be omitted H1: Hex. Nut 4.0/front H2: Hex. Nut 4.0/back R1: Round Nut 4.0/front R2: Round Nut 4.0/back *Others on request

TERMINAL

Series	Wire	Type	Plating
DCT	1: AWG 20-24 2: AWG 24-28 3: AWG 28-32	P: Male (plug) S: Female (socket)	S: Selective Gold G: Gold G1: Gold 5 μ G1: Gold 10 μ *S can be omitted

DF SERIES



D-Sub IDC Connector

APPLICATION AND FEATURES

Specification

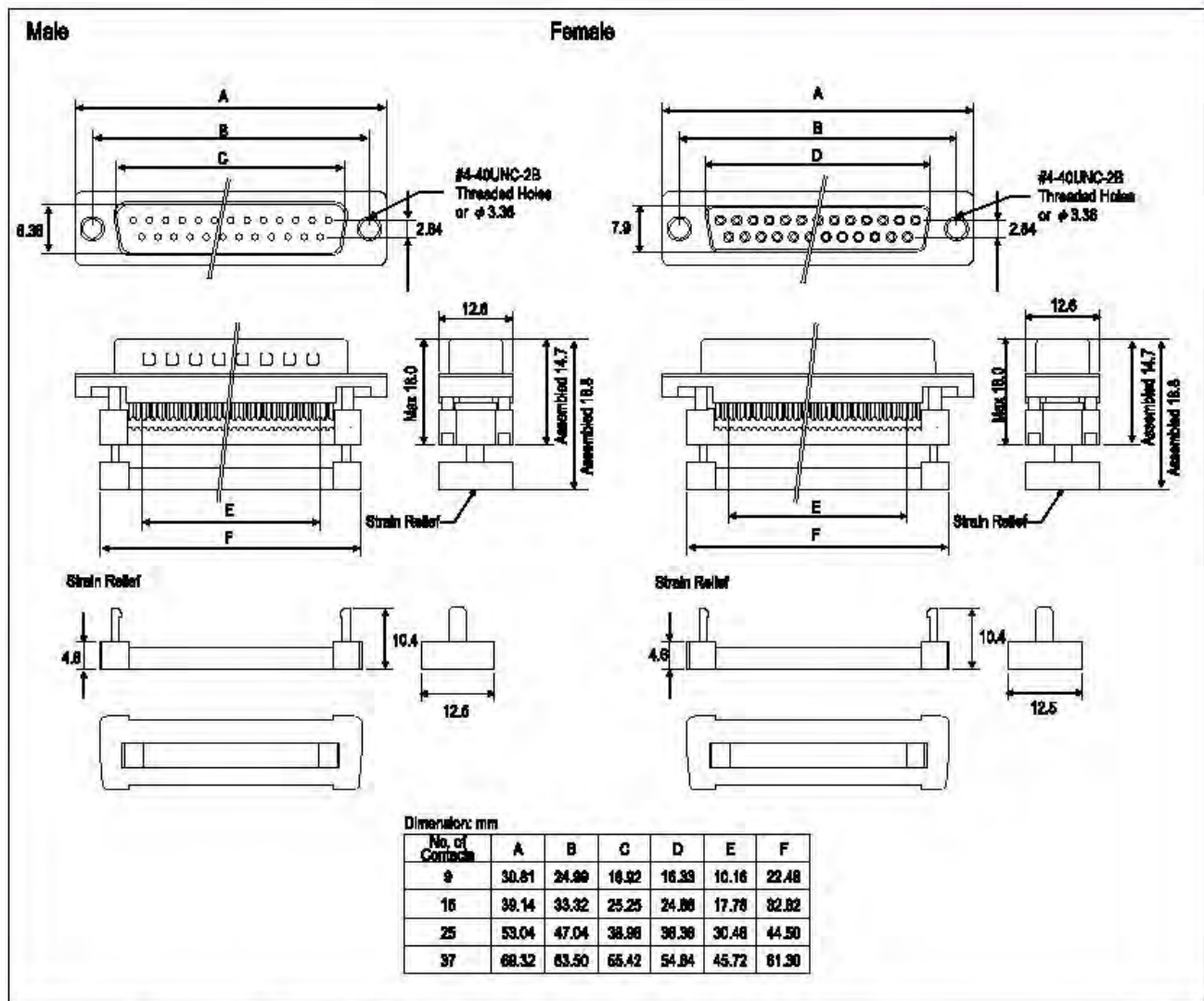
- Contact resistance: 30mΩ max. At DC 100mA
- Insulator resistance: 1000MΩ Min. At DC 500V
- Current rating: 1 AMP

Dielectric withstanding

- Voltage: AC 1000V For 1 minute
- Operating temperature: -55°C ~ +105°C
- Contact: MALE Brass

FEMALE phosphor bronze

- Housing: PBT & 30% Glass Fiber (UL94V-0)



ORDERING INFORMATION

Unit:mm

Series	No of Contact	Type	Threaded Type	Housing	Strain Relief	Plating
DF	09, 15, 25, 37	P: Male (plug) S: Female (socket)	1: none 2: Rivet nut 4-40	S: with metal shell P: all plastic	1: None 2: Plastic 3: Stainless	S: Selective Gold G: Gold G1: Gold 5 μ G1: Gold 10 μ *S can be omitted

DPIDPMDPH SERIES



D-Sub PCB Straight Connector

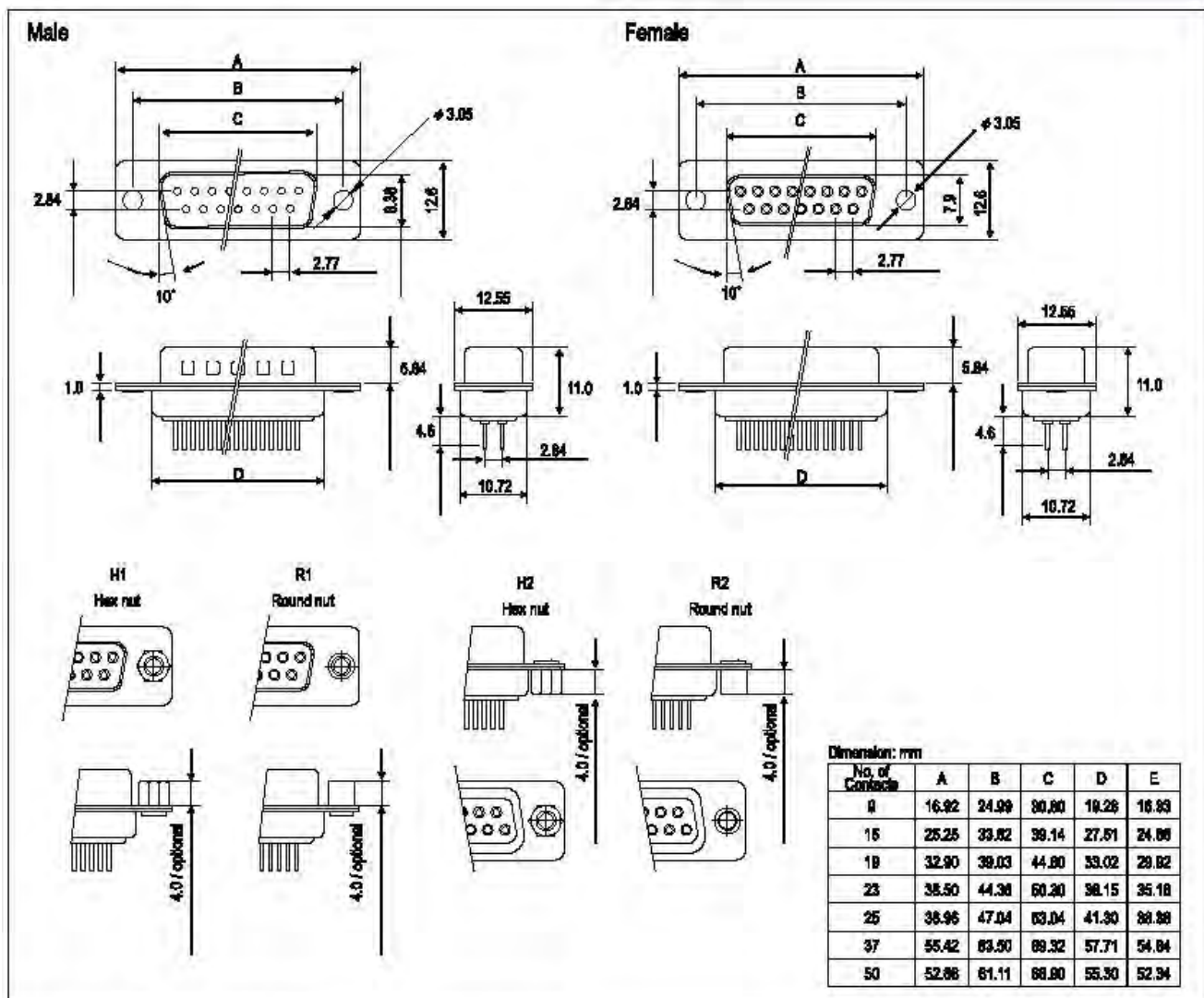
APPLICATION AND FEATURES

Specification

- Contact resistance: 30mΩ max. At DC 100mA
- Insulator resistance: 1000MΩ Min. At DC 500V
- Current rating: 5 AMP

Dielectric withstanding

- Voltage: AC 1000V For 1 minute
- Operating temperature: -55°C ~ +105°C
- Contact: Brass or phosphor bronze
- Housing: PBT & 30% Glass Fiber (UL94V-0)



ORDERING INFORMATION

Unit:mm

Series	No of Contact	Type	Threaded Type	Ferrite	Plating
DP: Stamped Pin DPM: Machined Pin DPH: High Profile	09, 15, 19, 23, 25, 37, 50	P: Male (plug) S: Female (socket)	N: none can be omitted H1: Hex. Nut 4.0/front H2: Hex. Nut 4.0/back R1: Round Nut 4.0/front R2: Round Nut 4.0/back *Others on request	1: w/o ferrite 2: with ferrite	S: Selective Gold G: Gold G1: Gold 5 μ G1: Gold 10 μ *1, S can be omitted



DRL SERIES

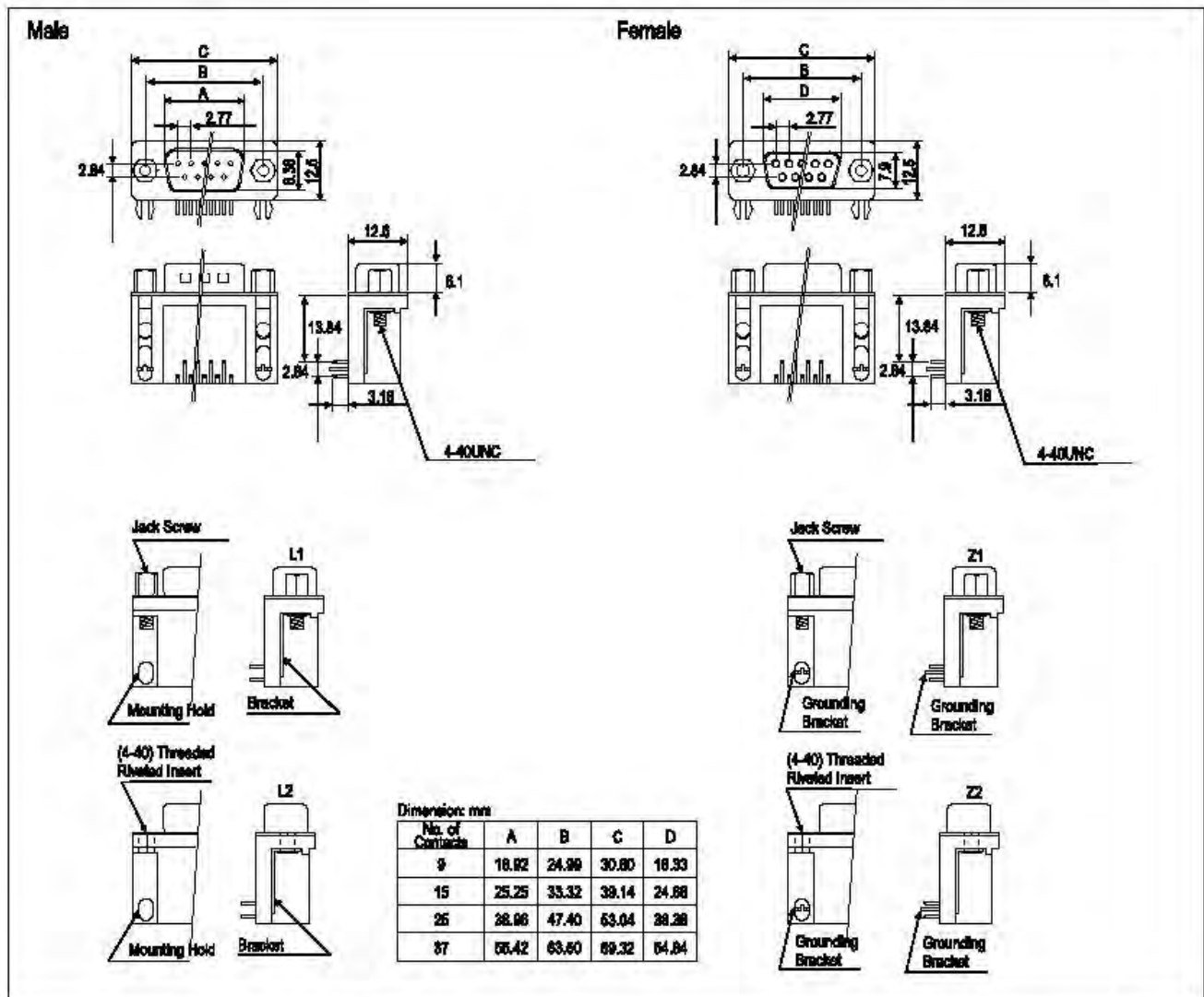
D-Sub Right Angle Connector (13.84mm)



APPLICATION AND FEATURES

Specification

- Contact resistance: 30mΩ max. At DC 100mA
 - Insulator resistance: 1000MΩ Min. At DC 500V
 - Current rating: 5 AMP
- #### Dielectric withstanding
- Voltage: AC 1000V For 1 minute
 - Operating temperature: -55°C ~ +105°C
 - Contact: Brass or phosphor bronze
 - Housing: PBT & 30% Glass Fiber (UL94V-0)



ORDERING INFORMATION

Unit:mm

Series	No of Contact	Type	Threaded Type	Ferrite	Plating
DRL	09, 15, 25, 37	P: Male (plug) S: Female (socket)	Z1: Hex. 11.8/Z Z2: Rivet/Z L1: Hex. 11.8/LH L2: Rivet/LH *Others on request	1: w/o ferrite 2: with ferrite	S: Selective Gold G: Gold G1: Gold 5 μ G1: Gold 10 μ *1, S can be omitted

DRM SERIES



D-Sub Right Angle Connector (9.4mm)

APPLICATION AND FEATURES

Specification

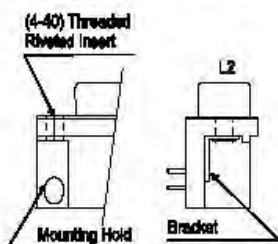
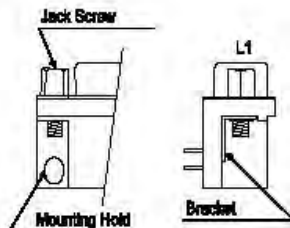
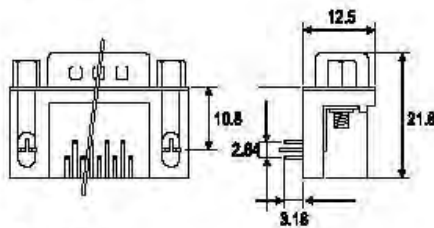
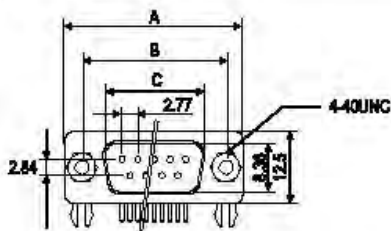
- Contact resistance: 30mΩ max. At DC 100mA
- Insulator resistance: 1000MΩ Min. At DC 500V
- Current rating: 5 AMP

Dielectric withstanding

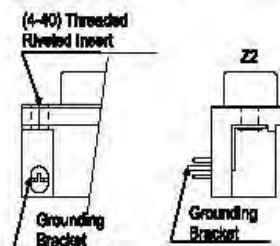
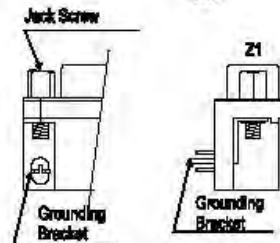
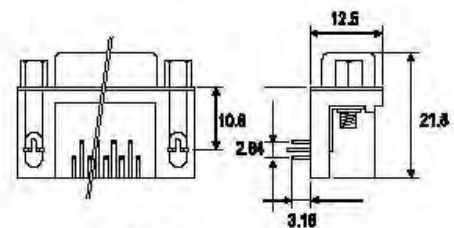
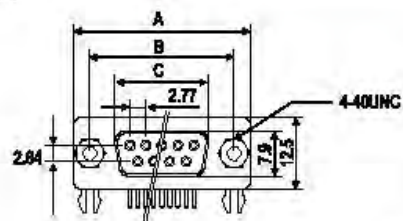
- Voltage: AC 1000V For 1 minute
- Operating temperature: -55°C ~ +105°C
- Contact: Brass or phosphor bronze
- Housing: PBT & 30% Glass Fiber (UL94V-0)



Male



Female



Dimension: mm

No. of Contacts	A	B	C	D
9	30.80	25.00	18.80	16.30
15	39.20	33.30	26.30	24.70
25	63.00	47.00	38.00	29.40
37	89.40	63.50	55.40	54.80

ORDERING INFORMATION

Unit:mm

Series	No of Contact	Type	Threaded Type	Ferrite	Plating
DRM	09, 15, 25, 37	P: Male (plug) S: Female (socket)	Z1: Hex. 11.8/Z Z2: Rivet/Z L1: Hex. 11.8/LH L2: Rivet/LH *Others on request	1: w/o ferrite 2: with ferrite	S: Selective Gold G: Gold G1: Gold 5 μ G1: Gold 10 μ *1, S can be omitted



DRN SERIES



D-Sub Right Angle Connector Machined Pin

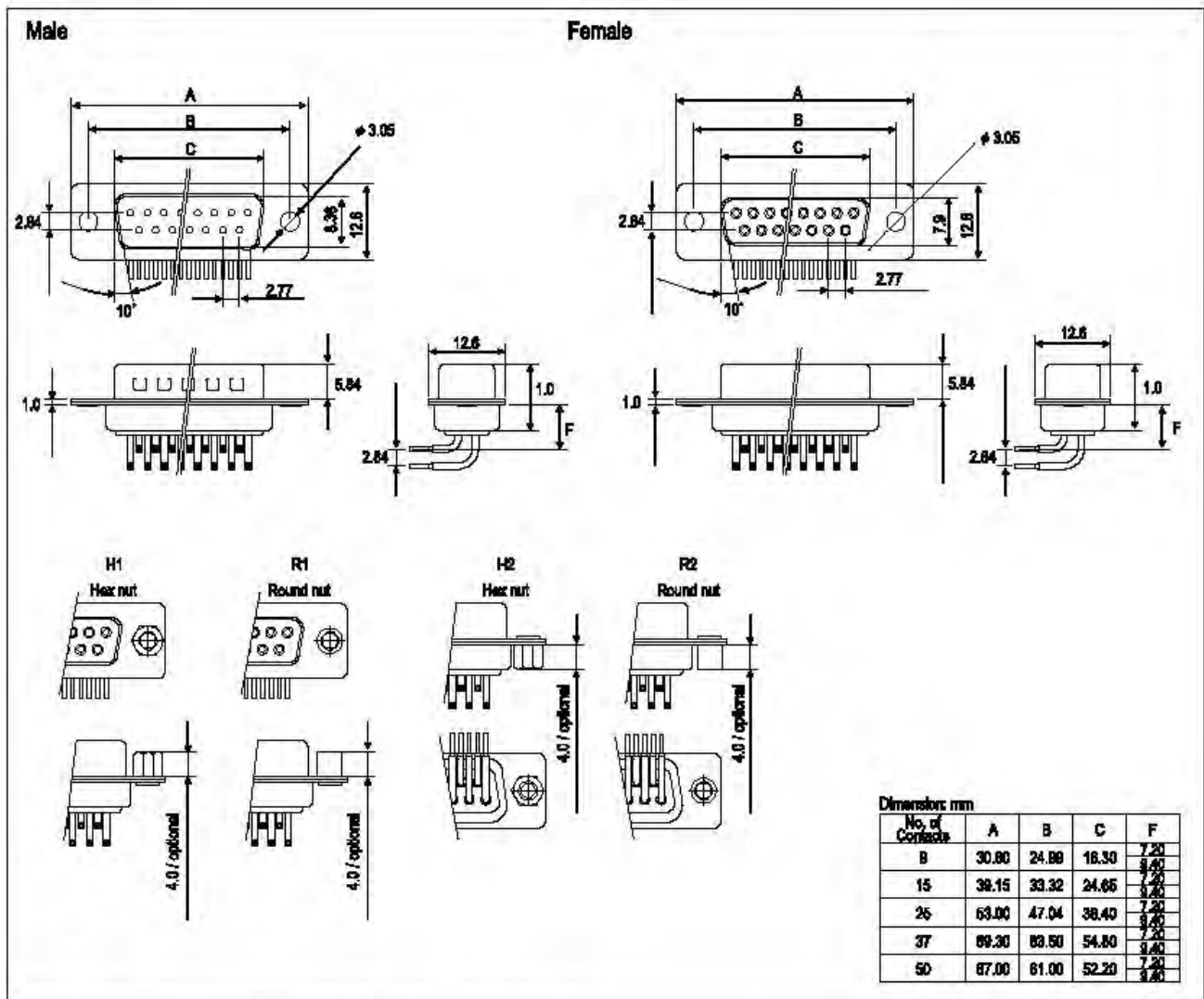
APPLICATION AND FEATURES

Specification

- Contact resistance: 30mΩ max. At DC 100mA
- Insulator resistance: 1000MΩ Min. At DC 500V
- Current rating: 5 AMP

Dielectric withstanding

- Voltage: AC 1000V For 1 minute
- Operating temperature: -55°C ~ +105°C
- Contact: Brass or phosphor bronze
- Housing: PBT & 30% Glass Fiber (UL94V-0)



ORDERING INFORMATION

Unit:mm

Series	No of Contact	Type	Threaded Type	Footprint	Plating
DRN	09, 15, 19, 23, 25, 37, 50	P: Male (plug) S: Female (socket)	N: none can be omitted H1: Hex. Nut 4.0/front H2: Hex. Nut 4.0/back R1: Round Nut 4.0/front R2: Round Nut 4.0/back *Others on request	1: 7.20mm 2: 9.40mm	G: Gold G1: Gold 5 μ G1: Gold 10 μ *G can be omitted

DRS SERIES

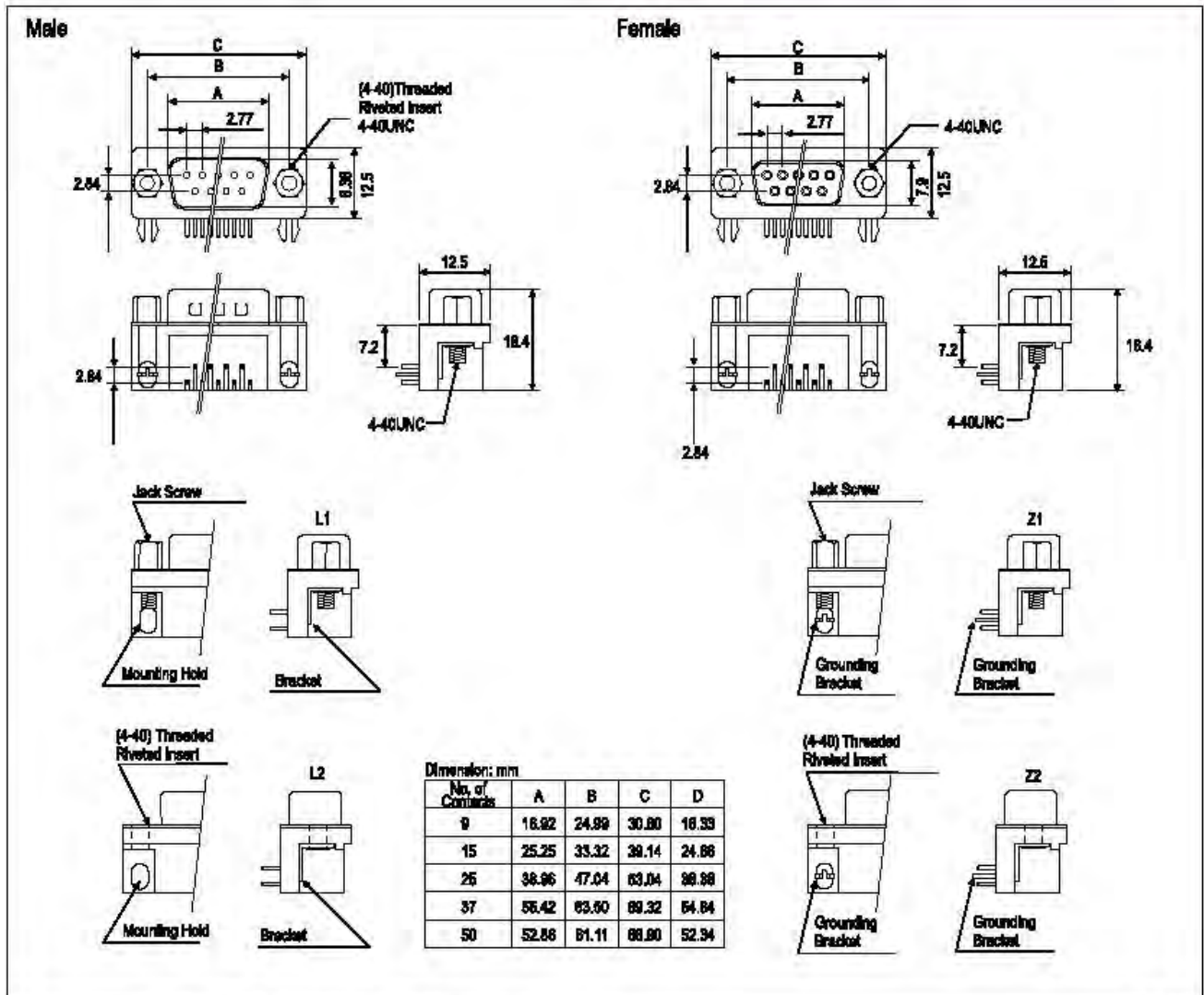


D-Sub Right Angle Connector (7.2mm)

APPLICATION AND FEATURES

Specification

- Contact resistance: 30mΩ max. At DC 100mA
 - Insulator resistance: 1000MΩ Min. At DC 500V
 - Current rating: 5 AMP
- #### Dielectric withstanding
- Voltage: AC 1000V For 1 minute
 - Operating temperature: -55°C ~ +105°C
 - Contact: Brass or phosphor bronze
 - Housing: PBT & 30% Glass Fiber (UL94V-0)



Unit:mm

ORDERING INFORMATION

Series	No of Contact	Type	Threaded Type	Ferrite	Plating
DRS	09, 15, 25, 37	P: Male (plug) S: Female (socket)	Z1: Hex. 11.8/Z Z2: Rivet/Z L1: Hex. 11.8/LH L2: Rivet/LH *Others on request	1: w/o ferrite 2: with ferrite	S: Selective Gold G: Gold G1: Gold 5 μ G1: Gold 10 μ *1, S can be omitted

DS/DSM SERIES

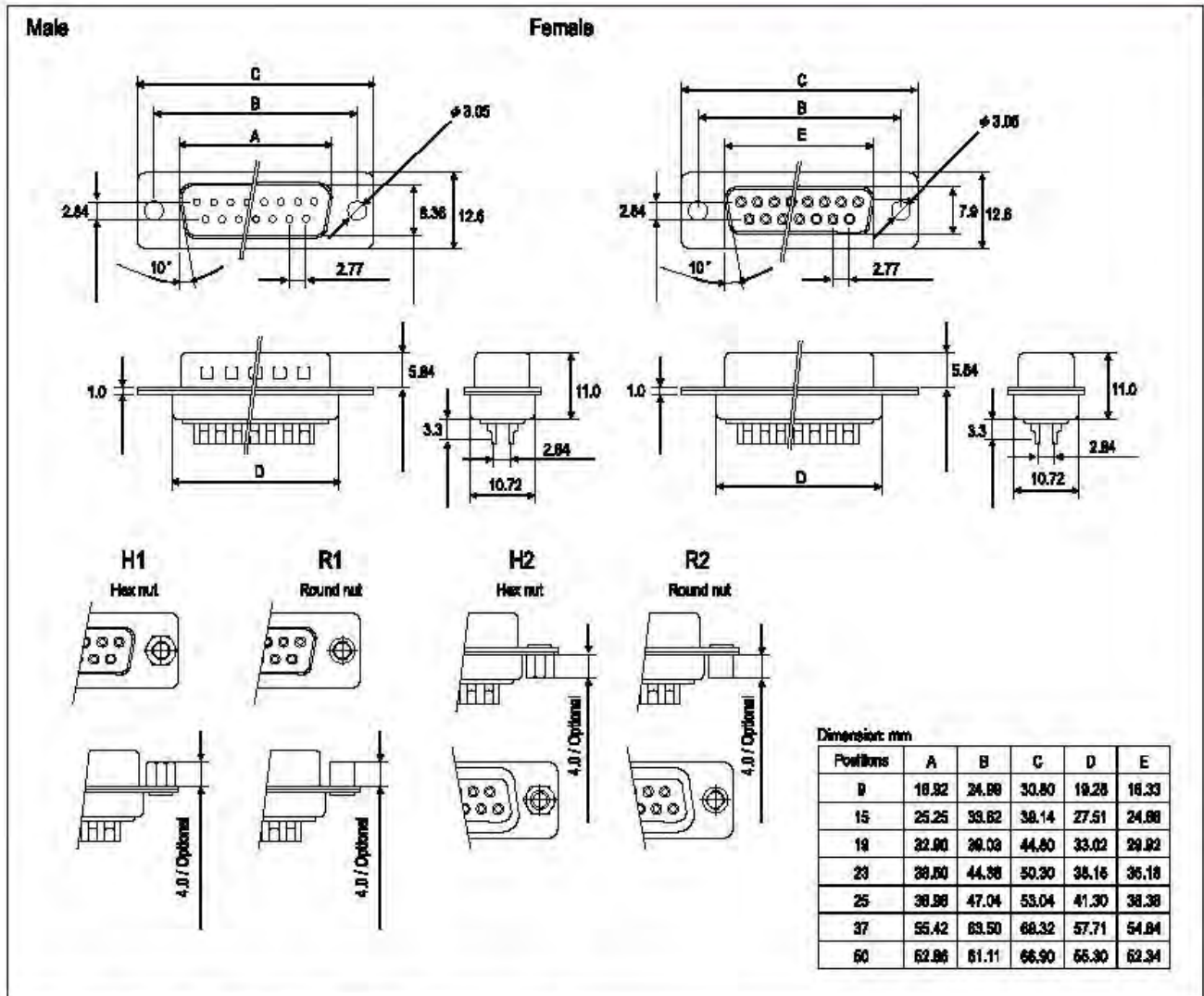


D-Sub Solder Cup Connector

APPLICATION AND FEATURES

Specification

- Contact resistance: 30mΩ max. At DC 100mA
- Insulator resistance: 1000MΩ Min. At DC 500V
- Current rating: 5 AMP
- Dielectric withstanding
- Voltage: AC 1000V For 1 minute
- Operating temperature: -55°C ~ +105°C
- Contact: Brass or phosphor bronze
- Housing: PBT & 30% Glass Fiber (UL94V-0)



ORDERING INFORMATION

Unit:mm

Series	No of Contact	Type	Threaded Type	Ferrite	Plating
DS: Stamped pin DSM: Mechined pin	09, 15, 19, 23, 25, 37, 50	P: Male (plug) S: Female (socket)	N: none can be omitted H1: Hex. 4.0/front H2: Hex. 4.0/back R1: Round 4.0/front R2: Round 4.0/back *Others on request	1: w/o ferrite 2: with ferrite	S: Selective Gold G: Gold G1: Gold 5μ G1: Gold 10μ *1, S can be omitted

H. D. D-Sub Crimp Connector

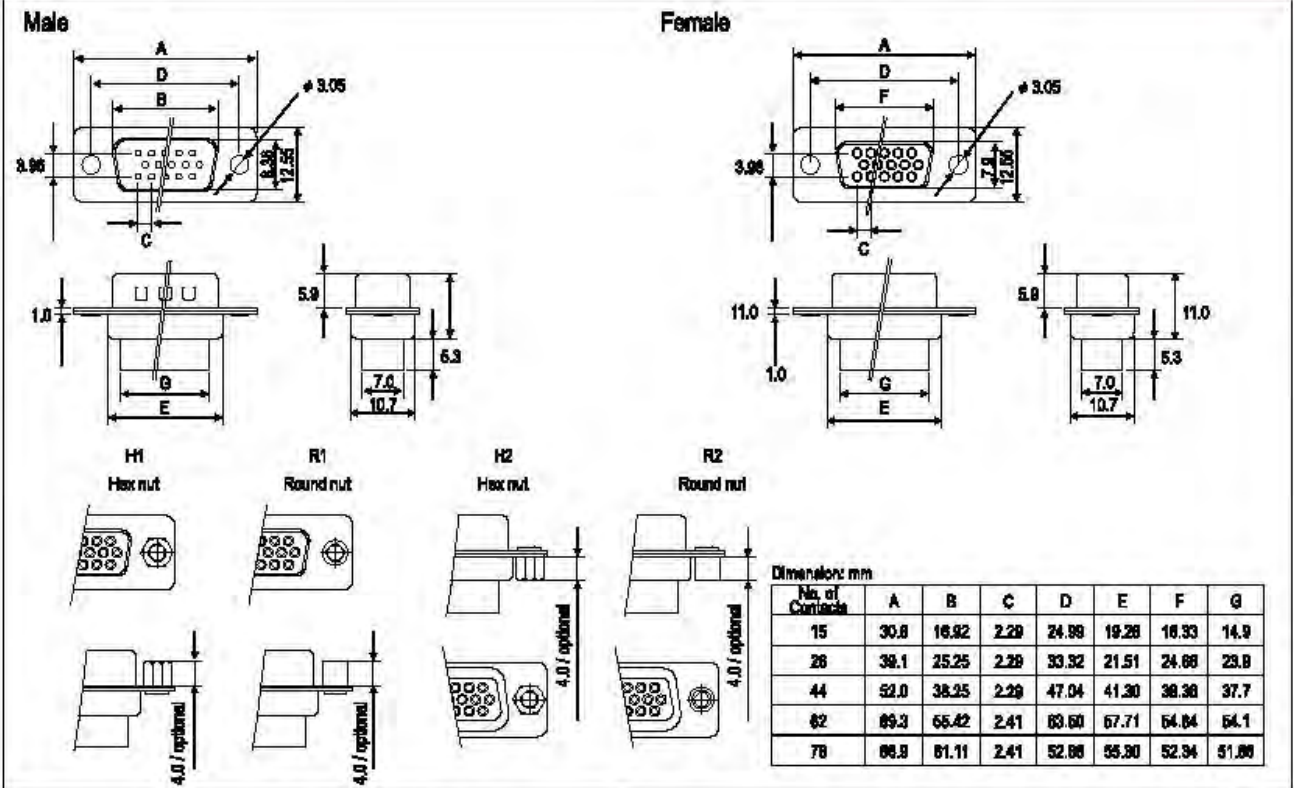
APPLICATION AND FEATURES

Specification

- Contact resistance: 30mΩ max. At DC 100mA
- Insulator resistance: 1000MΩ Min. At DC 500V
- Current rating: 3 AMP

Dielectric withstanding

- Voltage: AC 1000V For 1 minute
- Operating temperature: -55°C ~ +105°C
- Contact: Brass or phosphor bronze
- Housing: PBT & 30% Glass Fiber (UL94V-0)



Unit:mm

ORDERING INFORMATION

Series	No of Contact	Type	Threaded Type
HDC: Normal Type HLDC: Spring Lock Type	15, 26, 44, 62, 78	P: Male (plug) S: Female (socket)	N: none can be omitted H1: Hex. Nut 4.0/front H2: Hex. Nut 4.0/back R1: Round Nut 4.0/front R2: Round Nut 4.0/back *Others on request

TERMINAL

Series	Wire	Type	Plating
HDCT: Normal Type HLDCT: Spring Lock Type	1: AWG 20-24 2: AWG 24-28 3: AWG 28-32	P: Male (plug) S: Female (socket)	S: Selective Gold G: Gold G1: Gold 5μ G1: Gold 10μ *S can be omitted



HDP/HDPM/HDPH SERIES

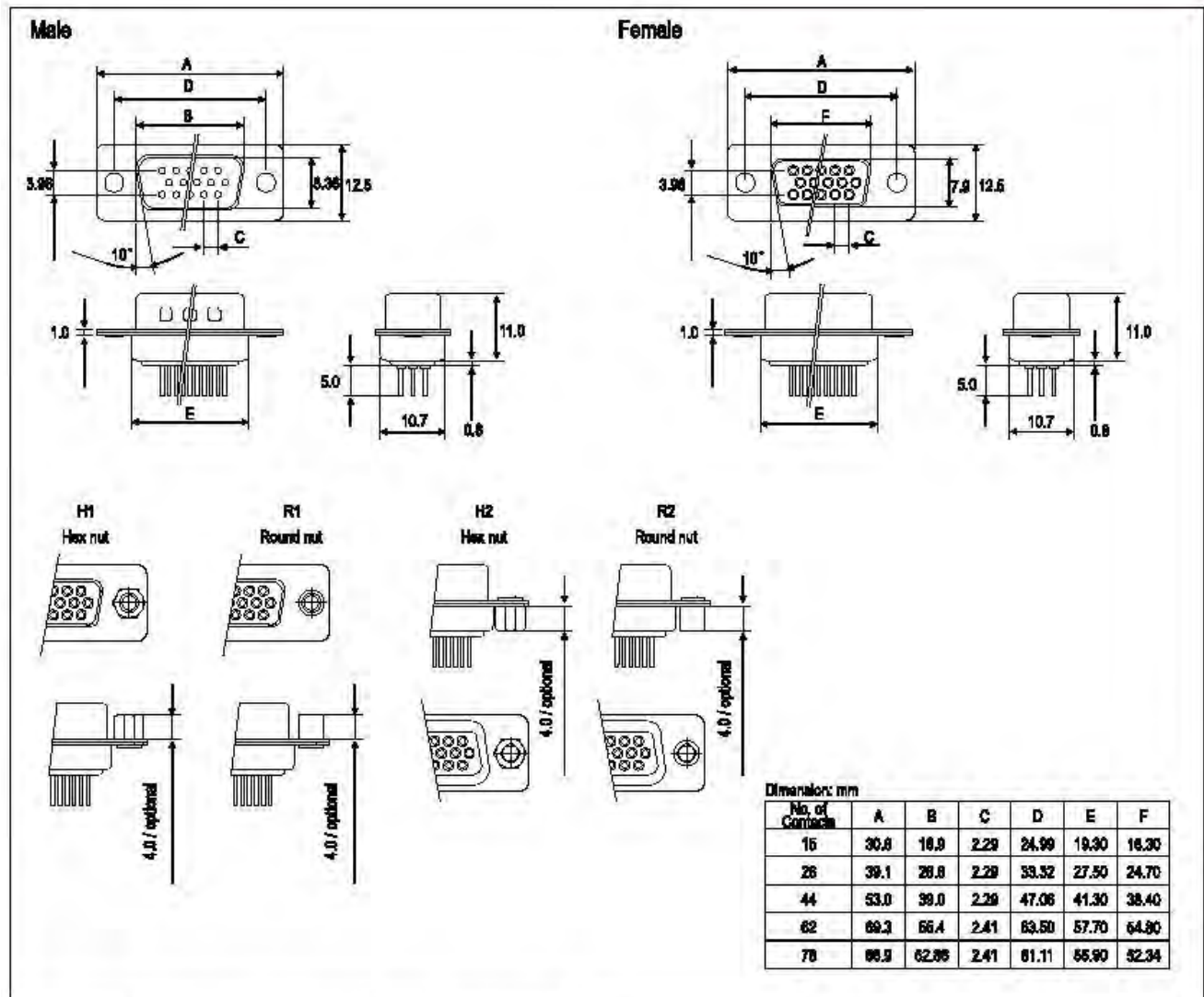


H. D. D-Sub PCB Straight Connector

APPLICATION AND FEATURES

Specification

- Contact resistance: 30mΩ max. At DC 100mA
 - Insulator resistance: 1000MΩ Min. At DC 500V
 - Current rating: 3 AMP
- #### Dielectric withstanding
- Voltage: AC 1000V For 1 minute
 - Operating temperature: -55°C ~ +105°C
 - Contact: Brass or phosphor bronze
 - Housing: PBT & 30% Glass Fiber (UL94V-0)



ORDERING INFORMATION

Unit:mm

Series	No of Contact	Type	Threaded Type	Ferrite	Plating
HDP: Stamped Pin HDPM: Machined Pin HDPH: High Profile	15, 26, 44, 62, 78	P: Male (plug) S: Female (socket)	N: none can be omitted H1: Hex. Nut 4.0/front H2: Hex. Nut 4.0/back R1: Round Nut 4.0/front R2: Round Nut 4.0/back *Others on request	1: w/o ferrite 2: with ferrite	S: Selective Gold G: Gold G1: Gold 5 μ G1: Gold 10 μ *1, S can be omitted



HDR SERIES

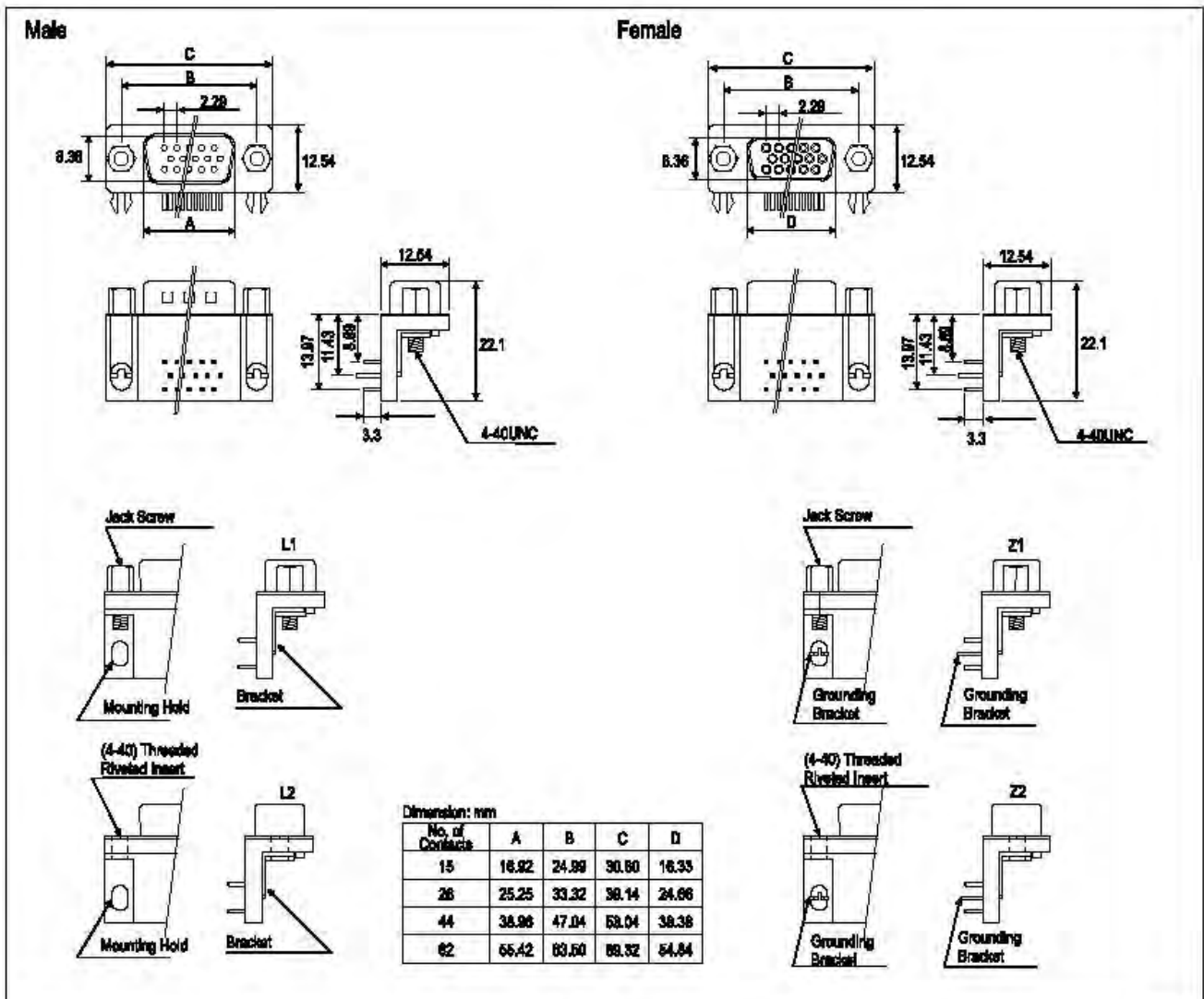
H. D. D-Sub Right Angle Connector



APPLICATION AND FEATURES

Specification

- Contact resistance: 30mΩ max. At DC 100mA
 - Insulator resistance: 1000MΩ Min. At DC 500V
 - Current rating: 3 AMP
- Dielectric withstanding**
- Voltage: AC 1000V For 1 minute
 - Operating temperature: -55°C ~ +105°C
 - Contact: Brass or phosphor bronze
 - Housing: PBT & 30% Glass Fiber (UL94V-0)



Unit:mm

ORDERING INFORMATION

Series	No of Contact	Type	Threaded Type	Ferrite	Plating
HDR	15, 26, 44, 62	P: Male (plug) S: Female (socket)	Z1: Hex. 11.8/Z Z2: Rivet/Z L1: Hex. 11.8/LH L2: Rivet/LH *Others on request	1: w/o ferrite 2: with ferrite	S: Selective Gold G: Gold G1: Gold 5 μ G1: Gold 10 μ *1, S can be omitted

HDSIHDSM SERIES

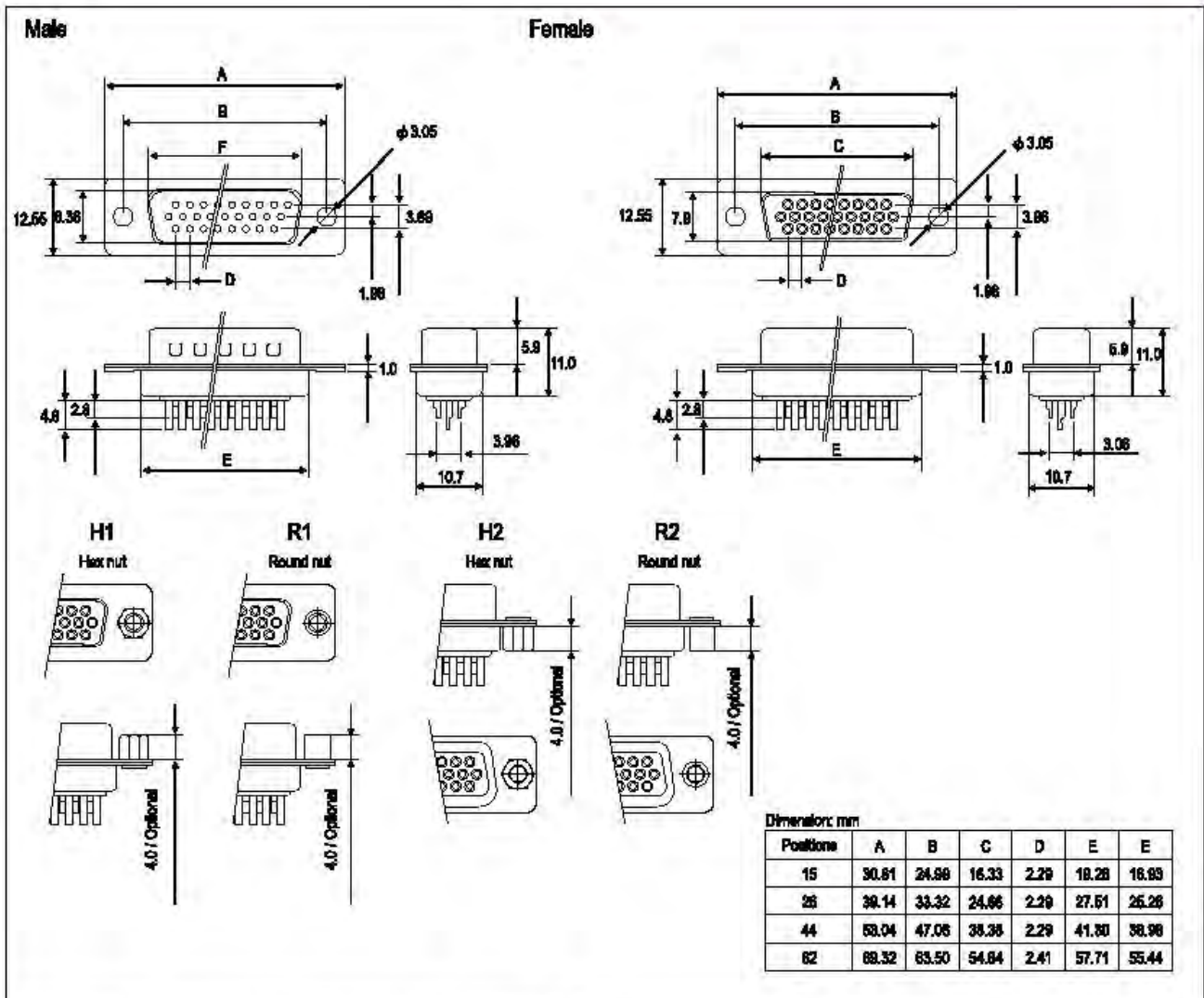
H. D. D-Sub Solder Cup Connector

D

APPLICATION AND FEATURES

Specification

- Contact resistance: 30mΩ max. At DC 100mA
- Insulator resistance: 1000MΩ Min. At DC 500V
- Current rating: 3 AMP
- Dielectric withstanding
- Voltage: AC 1000V For 1 minute
- Operating temperature: -55°C ~ +105°C
- Contact: Brass or phosphor bronze
- Housing: PBT & 30% Glass Fiber (UL94V-0)



ORDERING INFORMATION

Unit:mm

Series	No of Contact	Type	Threaded Type	Ferrite	Plating
HDS: Stamped pin HDSM: Machined pin	15, 26, 44, 62	P: Male (plug) S: Female (socket)	N: none can be omitted H1: Hex. 4.0/front H2: Hex. 4.0/back R1: Round 4.0/front R2: Round 4.0/back *Others on request	1: w/o ferrite 2: with ferrite	S: Selective Gold G: Gold G1: Gold 5μ G1: Gold 10μ *1, S can be omitted