

# DVA SERIES

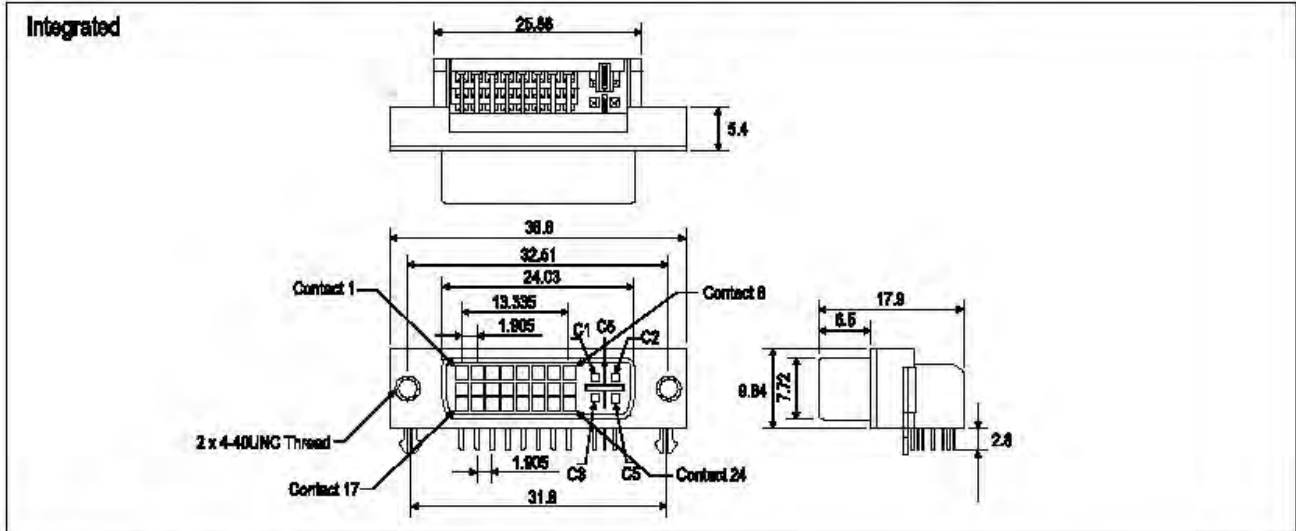
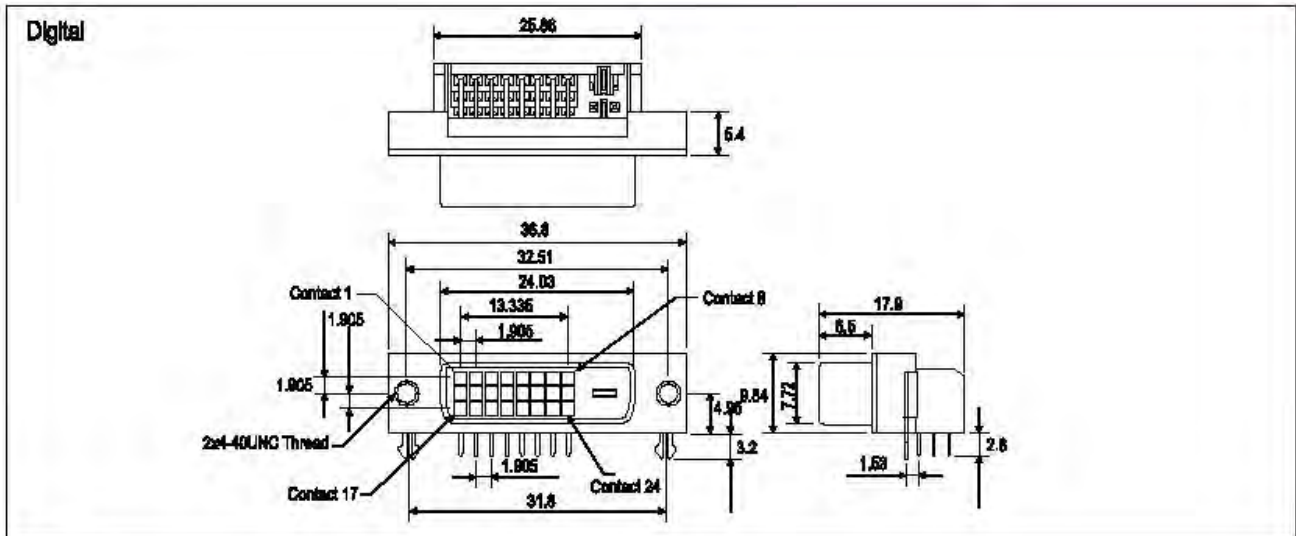
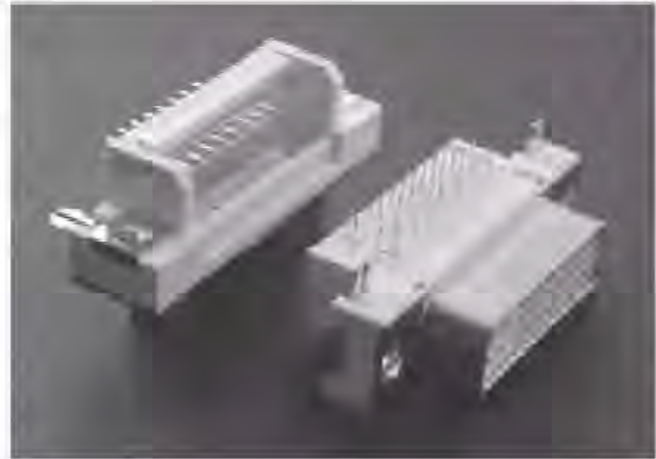
## DVI Socket ATX Fork Type

D

### APPLICATION AND FEATURES

#### Specification

- Temperature range: -20°C to +85°C
- Insulator material: Glass-filled thermoplastic, natural, UL94V-0
- Shell material: Steel
- Contact material: Phosphor bronze
- Contact plating: Gold flash
- Current rating: 1.5AMP
- Insulation resistance: 1000Megohms Min.
- Dielectric withstanding: 500VAC(rms)
- Contact resistance: 20 Milliohms max



### ORDERING INFORMATION

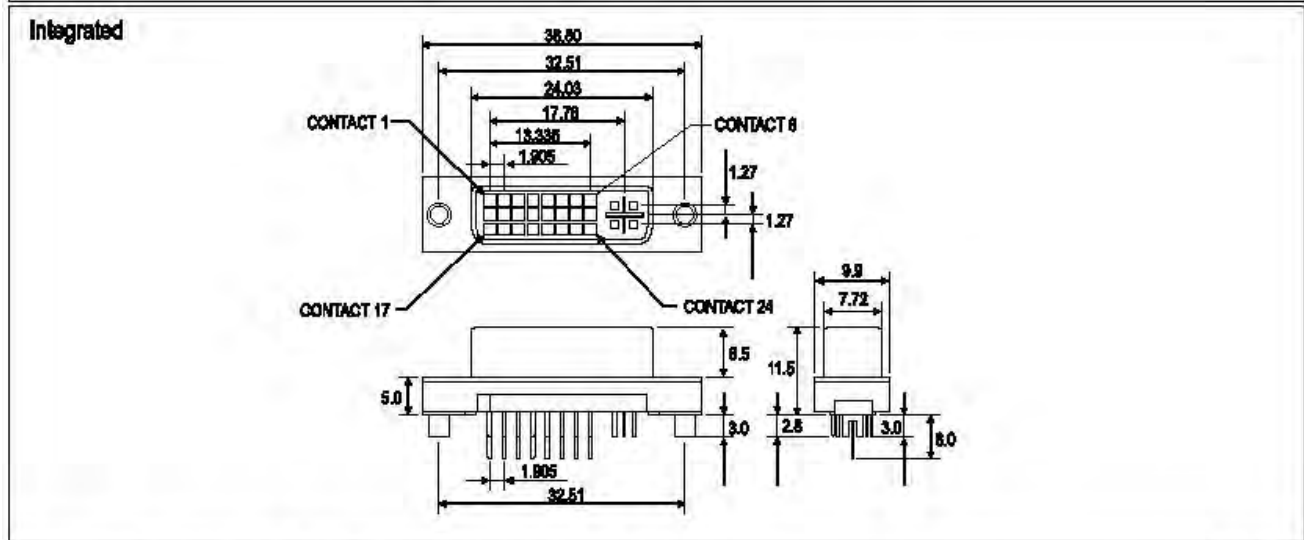
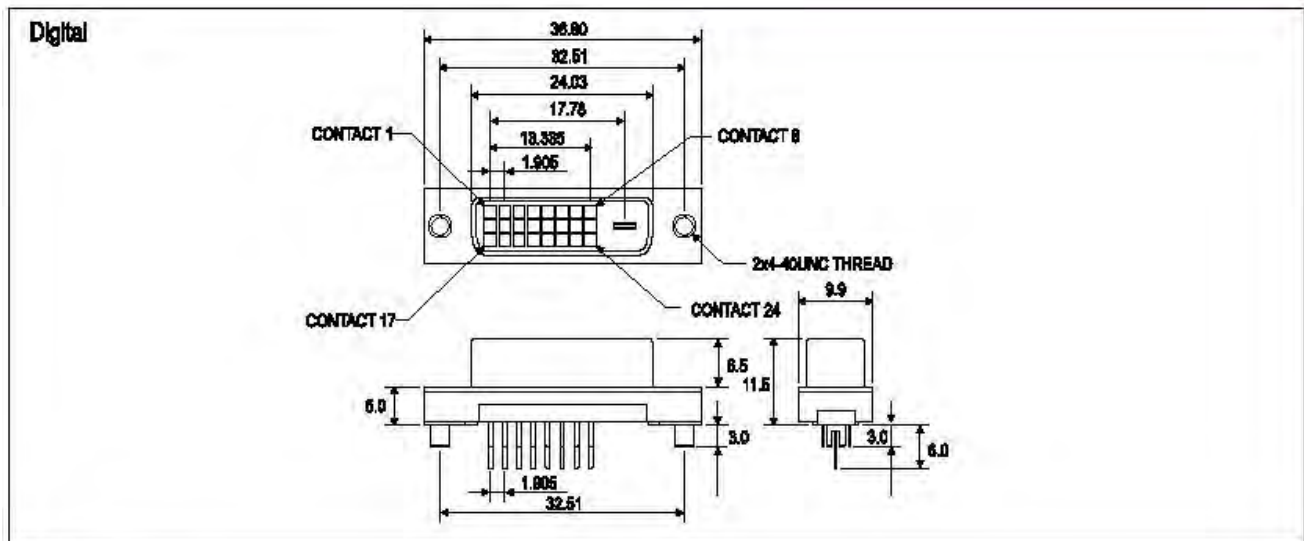
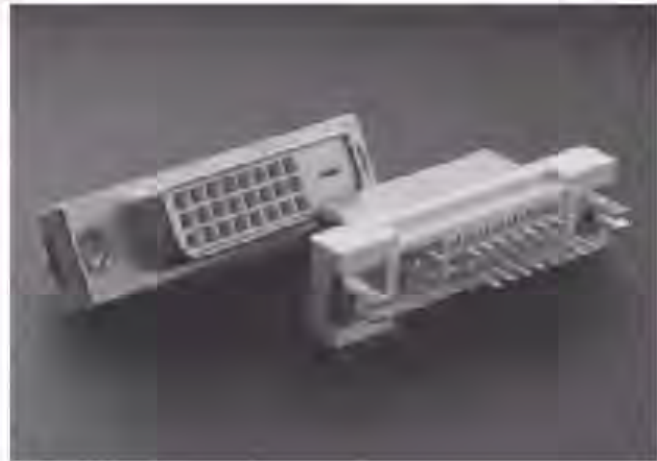
Unit:mm

Series	No of Contact	Type	Plating
DVA	24, 29	D:Digital I:Integrated	S: Gold Flash G1:Gold 5 μ G2:Gold 10 μ *S can be omitted

### APPLICATION AND FEATURES

#### Specification

- Meets: DDWG's DVI specification
- Temperature range: -20°C to +85°C
- Insulator material: Glass-filled thermoplastic, natural, UL94V-0
- Shell material: Steel
- Contact material: Phosphor bronze
- Contact plating: Gold flash
- Current rating: 1.5AMP
- Insulation resistance: 1000Megohms Min.
- Dielectric withstanding: 500VAC(rms)
- Contact resistance: 20 Milliohms max
- Consult factory for additional plating options



### ORDERING INFORMATION

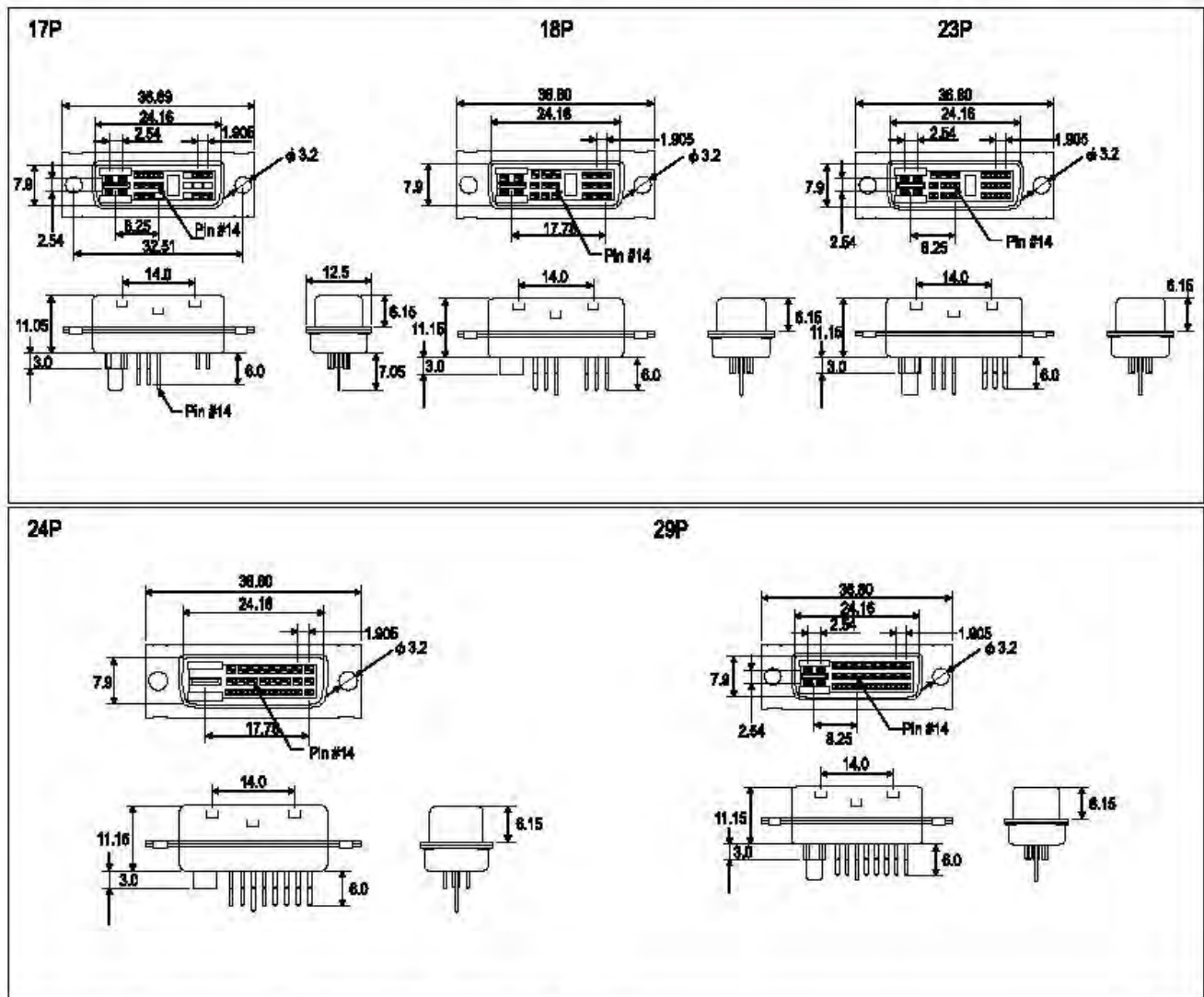
Unit:mm

Series	No of Contact	Type	Plating
DVC	24, 29	D:Digital I:Integrated	S:Gold Flash G1:Gold 5 μ G2:Gold 10 μ *S can be omitted

### APPLICATION AND FEATURES

#### Specification

- Temperature range: -20°C to +85°C
- Insulator material: Glass-filled thermoplastic, natural, UL94V-0
- Shell material: Steel
- Contact material: Phosphor bronze
- Contact plating: Gold flash
- Current rating: 1.5AMP
- Insulation resistance: 1000Megohms Min.
- Dielectric withstanding: 500VAC(rms)
- Contact resistance: 20 Milliohms max
- Note: Contact height for Pin# 14 is [4.70].  
Balance of contacts are [5.46].



Unit:mm

### ORDERING INFORMATION

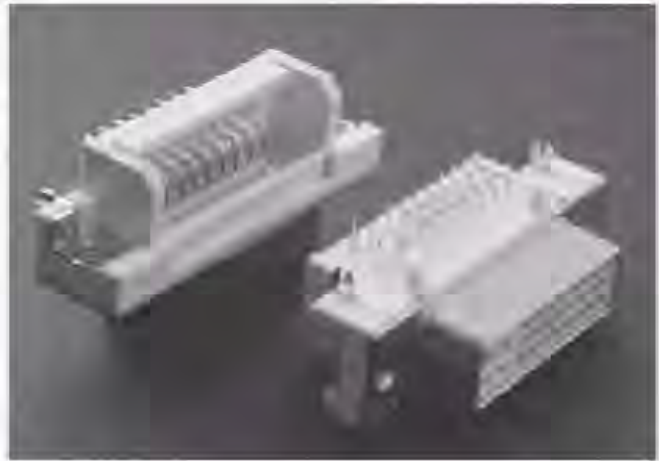
Series	No of Contact	Type	Plating
DVP	17, 18, 23, 24, 29	C: Solder	S: Gold Flash G1: Gold 5 $\mu$ G2: Gold 10 $\mu$ *S can be omitted

## DVI Socket Right Angle Type

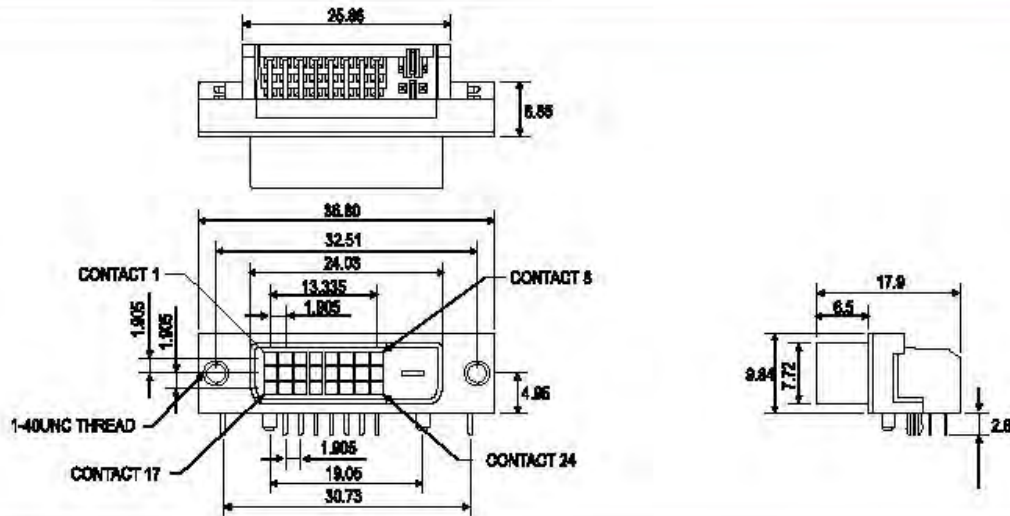
### APPLICATION AND FEATURES

#### Specification

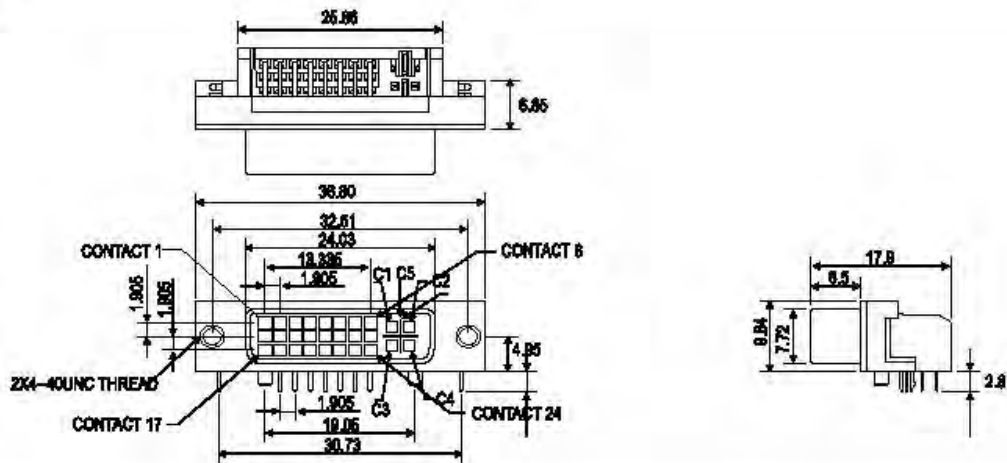
- Temperature range: -20°C to +85°C
- Insulator material: Glass-filled thermoplastic, natural, UL94V-0
- Shell material: Steel
- Contact material: Phosphor bronze
- Contact plating: Gold flash
- Current rating: 1.5AMP
- Insulation resistance: 1000Megohms Min.
- Dielectric withstanding: 500VAC(rms)
- Contact resistance: 20 Milliohms max



#### Digital



#### Integrated



### ORDERING INFORMATION

Unit:mm

Series	No of Contact	Type	Plating
DVR	24,29	D:Digital I:Integrated	S:Selective gold G1:Gold 5 μ G2:Gold 10 μ *S can be omitted

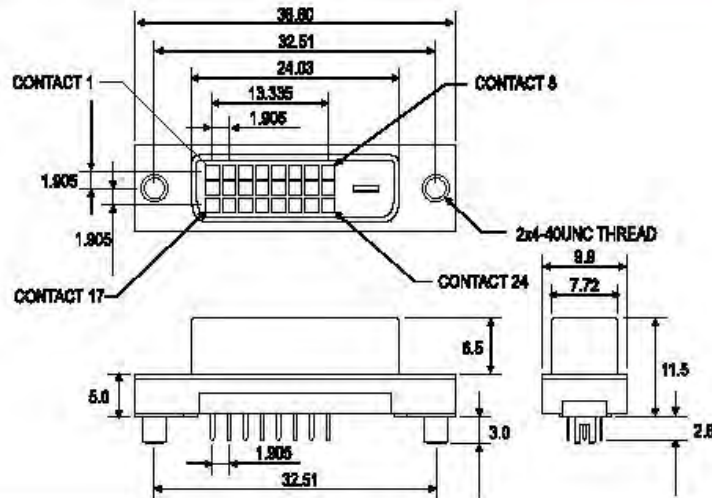
### APPLICATION AND FEATURES

#### Specification

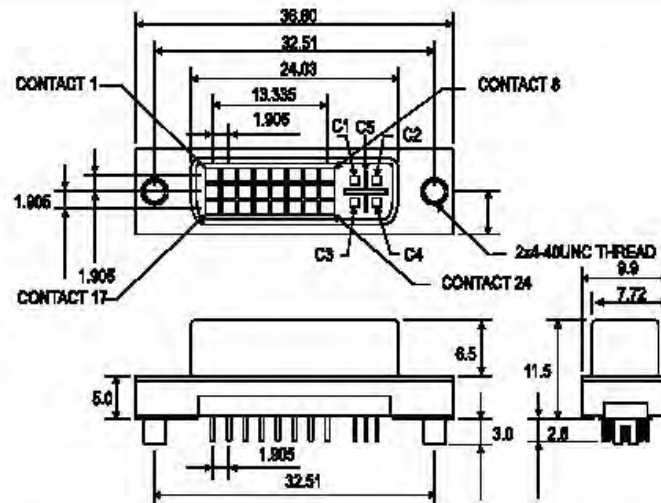
- Meets: DDWG's DVI specification
- Temperature range: -20°C to +85°C
- Insulator material: Glass-filled thermoplastic, natural, UL94V-0
- Shell material: Steel
- Contact material: Phosphor bronze
- Contact plating: Gold flash
- Current rating: 1.5AMP
- Insulation resistance: 1000Megohms Min.
- Dielectric withstanding: 500VAC(rms)
- Contact resistance: 20 Milliohms max
- Consult factory for additional plating options



#### Digital



#### Integrated



### ORDERING INFORMATION

Unit:mm

Series	No of Contact	Type	Plating
DVV	24, 29	D:Digital I:Integrated	S: Gold Flash G1:Gold 5µ G2:Gold10µ *S can be omitted

# USA SERIES

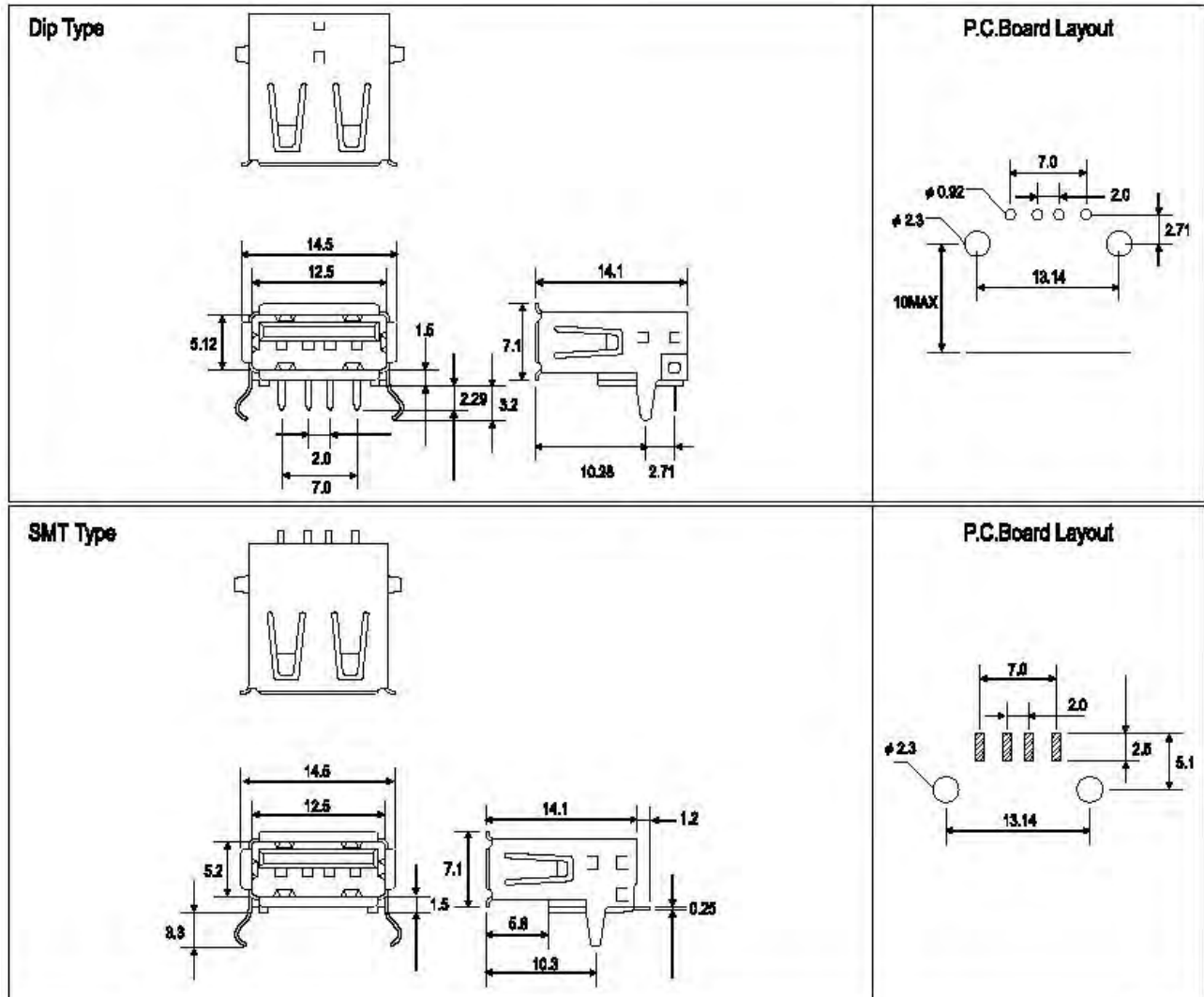
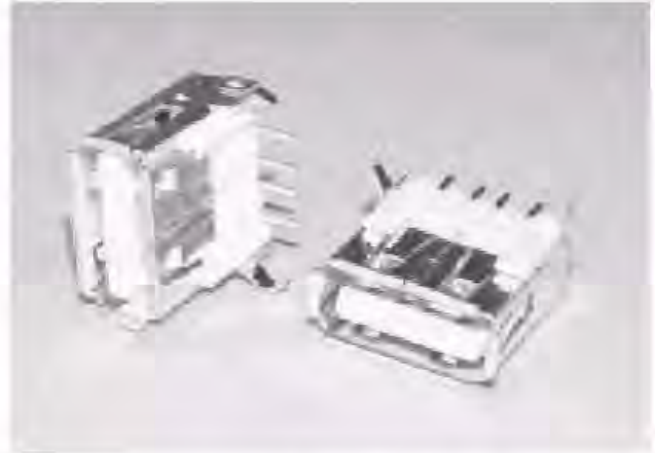


## USB Right Angle Connectors A Type

### APPLICATION AND FEATURES

#### Specification

- Housing: PBT+Glass Fiber, UL 94V-0
- Contact: Phosphor bronze (0.25mm)
- Shell: Phosphor bronze (0.3mm)
- Voltage current rating: 1A, 30Vac
- Insulation resistance: 1000MΩ min
- Contact resistance: 30mΩ Max.
- Temperature range: -55°C ~ +105°C
- Dielectric withstanding voltage: 500Vac for 1 minute



Unit:mm

### ORDERING INFORMATION

Series	Type	Housing	Color	Plating
USA	DR:Dip R/A SR:SMT R/A	1:PBT 2:LCP 3:Nylon 6T	WE: White BK:Black	S:Gold Flash G1:Gold 5μ G2:Gold 10μ *S can be omitted



# USA SERIES

## USB Right Angle Dual & Tripple Port Connector A Type

D

### APPLICATION AND FEATURES

#### Electrical

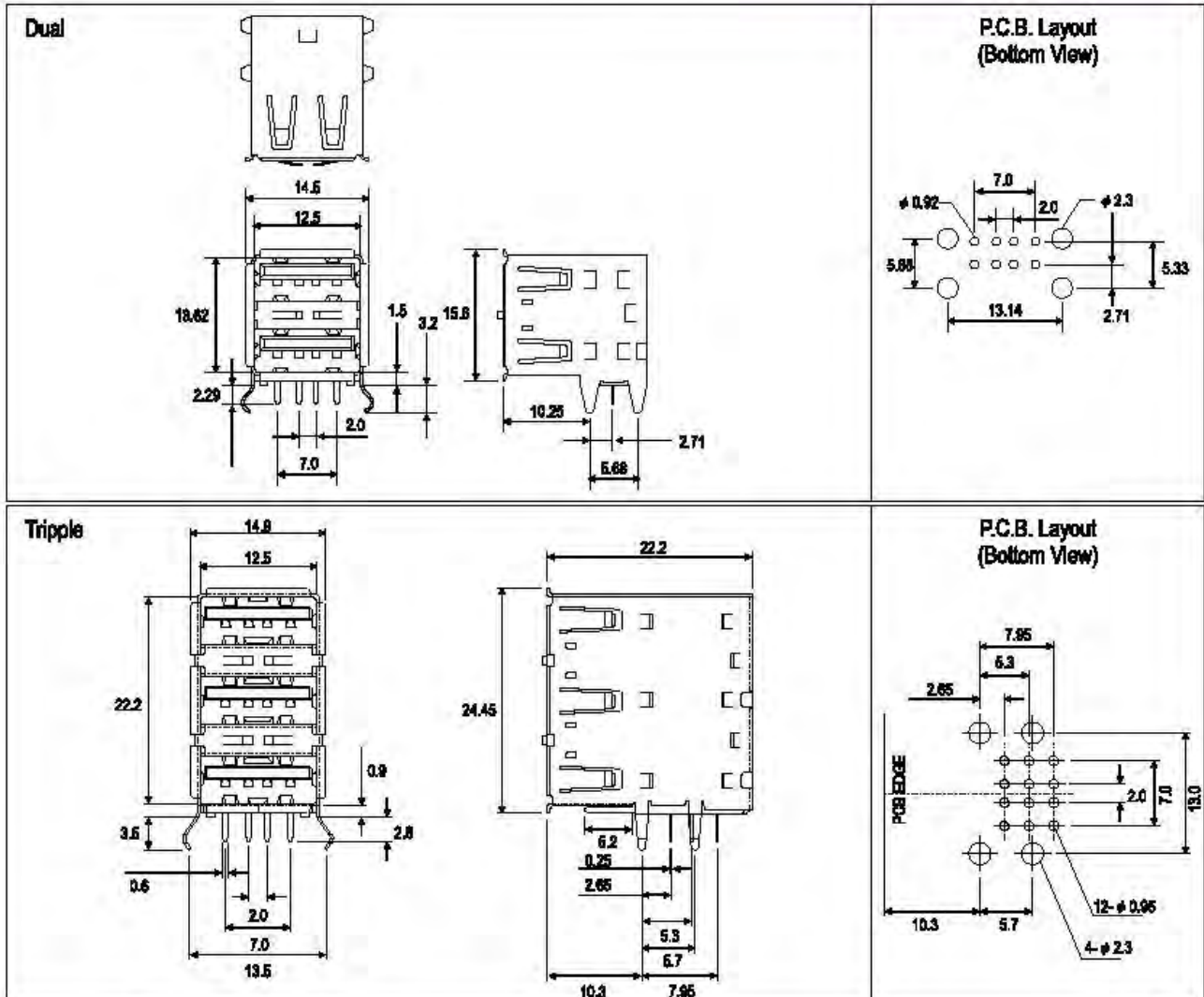
- Contact current rating: 1amp DC max
- Dielectric withstanding voltage: 750V AC for 1minute
- Termination resistance: 30 megohms max
- Insulation resistance: 1000 megohms min
- Temperature rating: -55°C to +85°C

#### Materials

- Shell: Brass (T=0.3mm)
- Rear shell: SPCC (T=0.3mm)
- Housing: PBT+G.F UL 94V-0
- Terminal: Phosphor bronze
- Bottom cover: Nylon (black)

#### Plating

- Shell: Tin plated
- Rear shell: Nickel plated
- Terminal: Gold-tin plated



Unit:mm

### ORDERING INFORMATION

Series	No of Port	Type	Housing	Color	Plating
USA	2: Dual Port 3: Tripple Port	S: with Spring N: w/o Spring	1: PBT 2: LCP 3: Nylon 6T	WE: White BK: Black	S: Gold Flash G1: Gold 5μ G2: Gold 10μ *S can be omitted

# USA SERIES

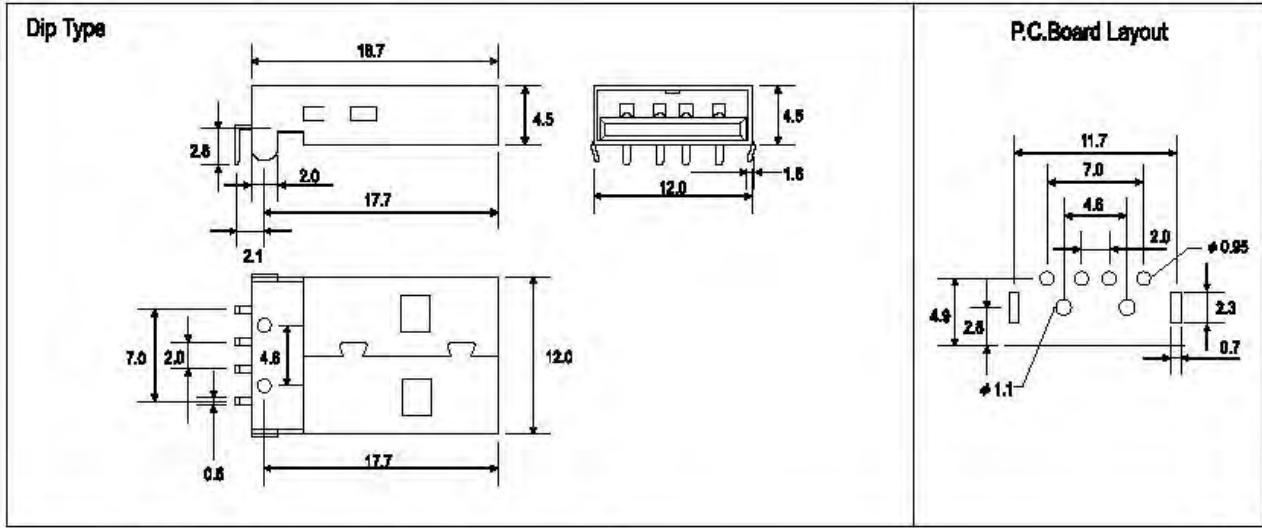
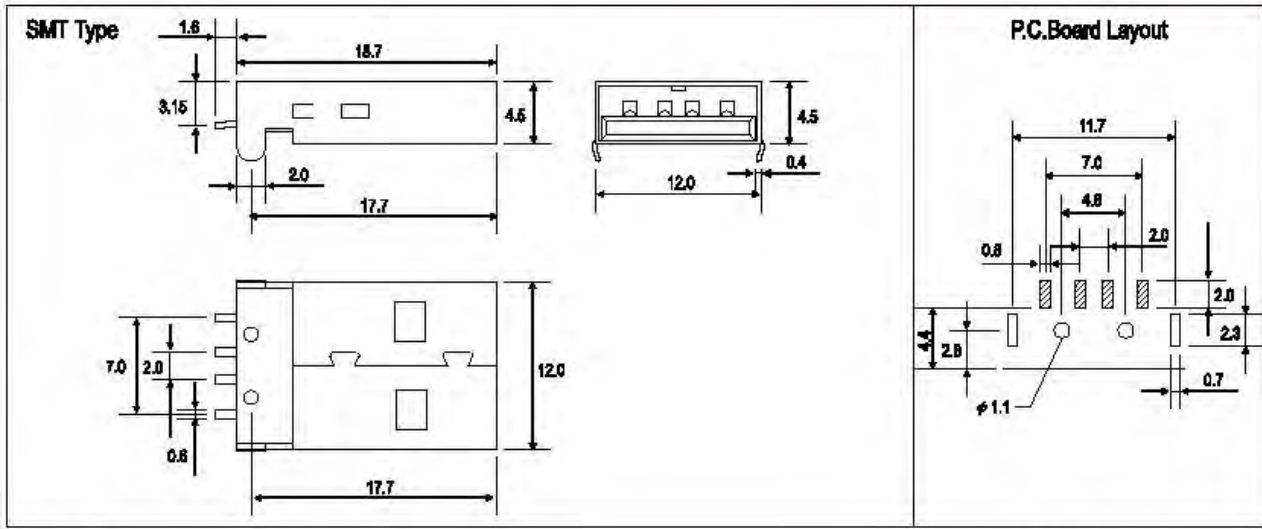


## USB Right Angle Connectors A Plug Type

### APPLICATION AND FEATURES

#### Specification

- Housing: PBT+Glass Fiber, UL 94V-0
- Contact: Phosphor bronze (0.25mm)
- Shell: Phosphor bronze (0.3mm)
- Voltage current rating: 1A, 30Vac
- Insulation resistance: 1000MΩ min
- Contact resistance: 30mΩ Max.
- Temperature range: -55°C ~ +105°C
- Dielectric withstanding voltage: 500Vac for 1 minute



Unit:mm

### ORDERING INFORMATION

Series	Type	Housing	Color	Plating
USA	DR:Dip R/A SR:SMT R/A	1:PBT 2:LCP 3:Nylon 6T	WE: White BK:Black	S:Gold Flash G1:Gold 5 μ G2:Gold 10 μ *S can be omitted



## USB Straight & Solder Connectors A Type

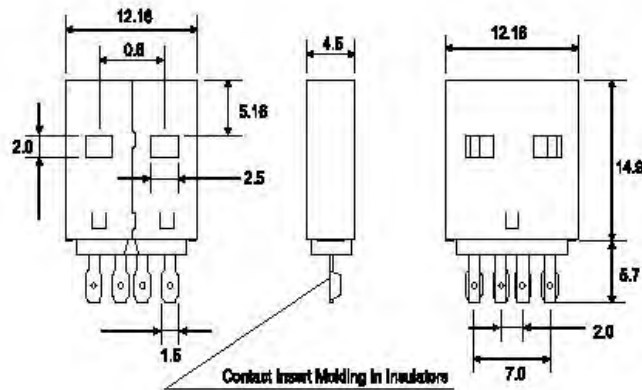
### APPLICATION AND FEATURES

#### Specification

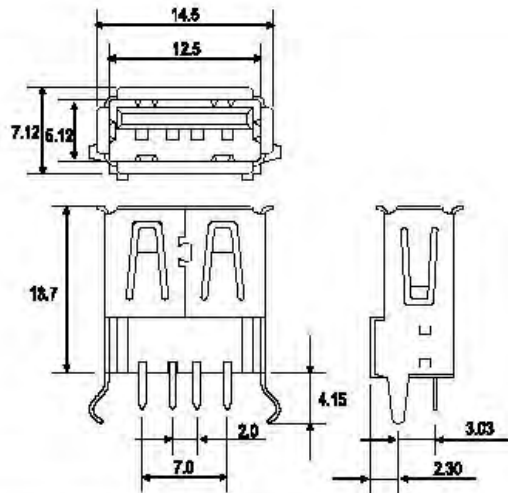
- Housing: PBT+Glass Fiber, UL 94V-0
- Contact: Phosphor bronze(0.25mm)
- Shell: Phosphor bronze(0.3mm)
- Voltage current rating: 1A, 30Vac
- Insulation resistance: 1000MΩ min
- Contact resistance: 30mΩ Max.
- Temperature range: -55°C ~ +105°C
- Dielectric withstanding voltage: 500Vac for 1 minute



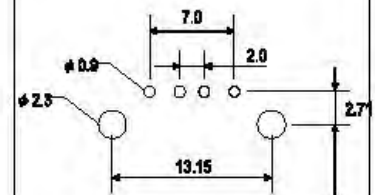
#### Wire Solder



#### Dip Straight



#### P.C.Board Layout



### ORDERING INFORMATION

Unit:mm

Series	Type	Housing	Color	Shell	Plating
USA	DS:Dip Straight WS:Wire Solder	1:PBT 2:LCP 3:Nylon 6T	WE: White BK:Black	1:DS w/cliper 2:DS w/o cliper 1:DP w/grounding 2:DP w/o grounding	T:Tin G:Gold Flash G1:Gold 5μ S>Selective gold *S can be omitted

# USB SERIES

## USB Connectors B Type



### APPLICATION AND FEATURES

#### Electrical

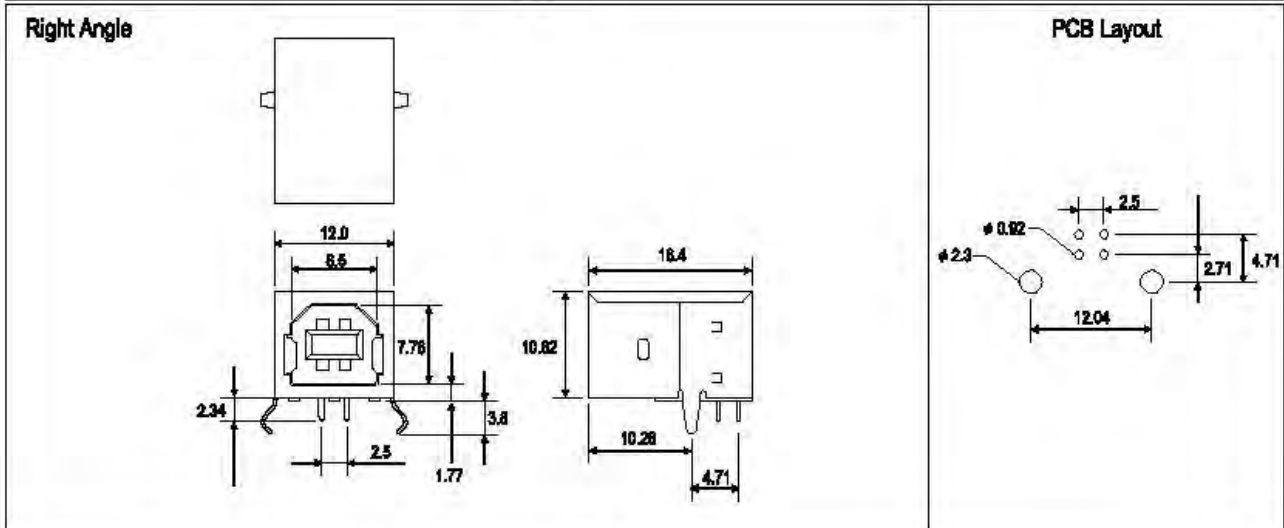
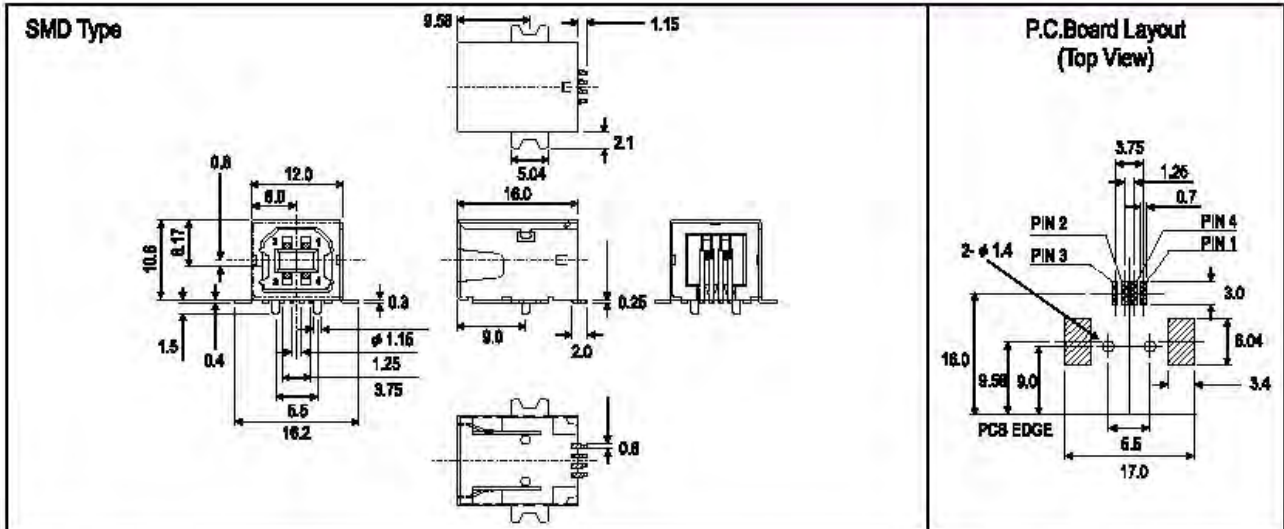
- Contact current rating: 1 amp DC max
- Dielectric withstanding voltage: 750V AC for 1 minute
- Termination resistance: 30 megohms max
- Insulation resistance: 1000 megohms min
- Temperature rating: -55°C to +85°C

#### Materials

- Shell: Brass (T=0.3mm)
- Housing: Nylon PA9T G.F
- Terminal: Phosphor bronze (T=0.25mm)

#### Plating

- Shell: Nickel plated
- Terminal: Gold-tin plated



### ORDERING INFORMATION

Unit:mm

Series	Type	Housing	Color	Plating
USB	R:Right Angle M:SMD Type	1:PBT 2:LCP 3:Nylon 6T	WE: White BK:Black	S:Gold Flash G1:Gold 5 μ G2:Gold 10 μ *S can be omitted

# USB SERIES

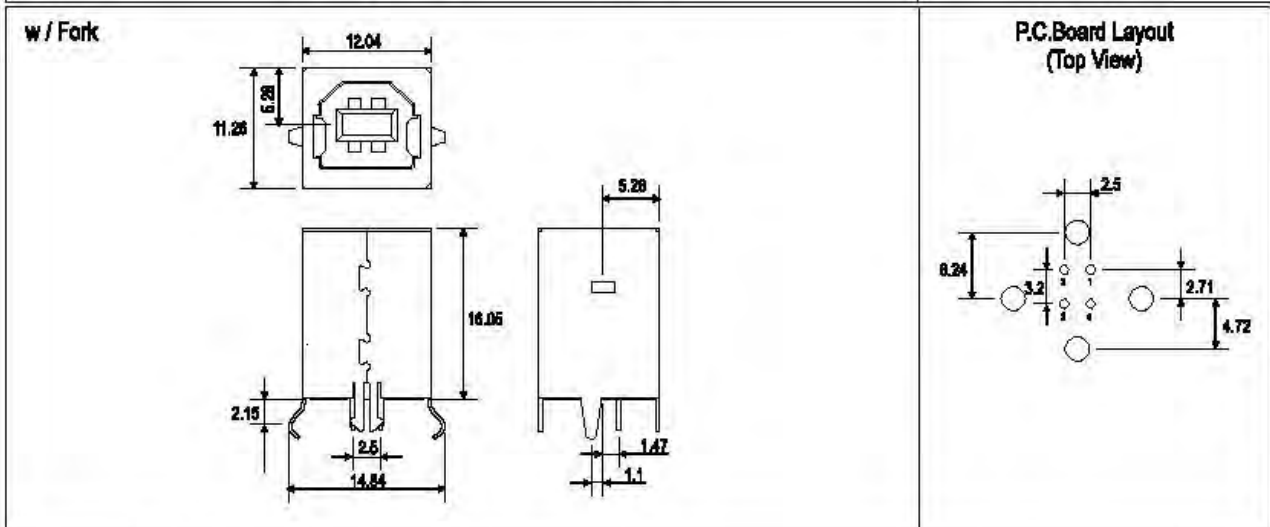
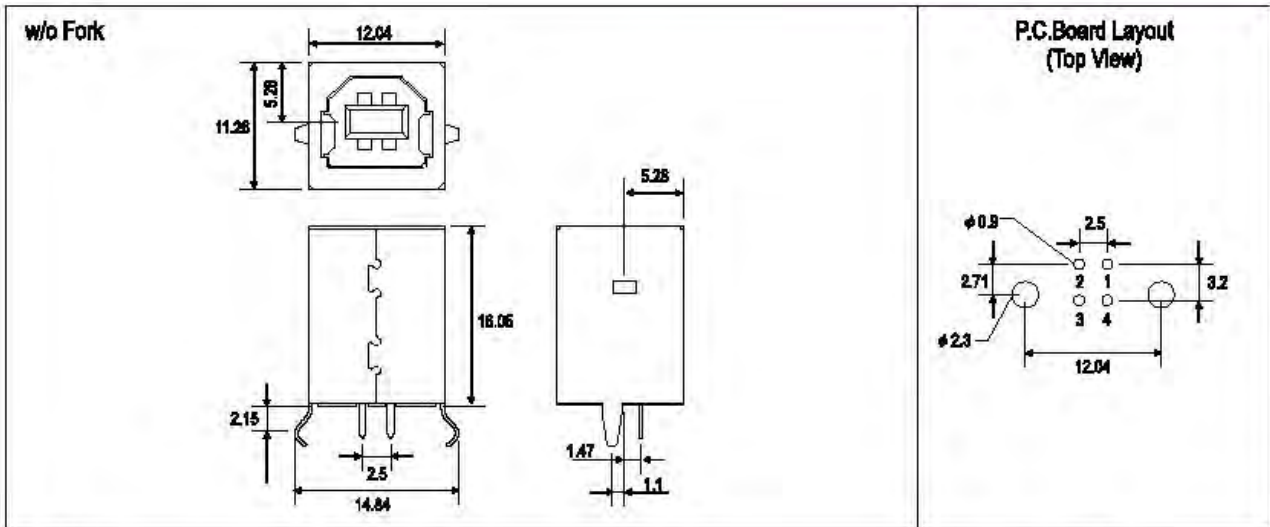
## USB Connectors Straight B Type



### APPLICATION AND FEATURES

#### Specification

- Housing: PBT+Glass Fiber, UL 94V-0
- Contact: Phosphor bronze (0.25mm)
- Shell: Phosphor bronze (0.3mm)
- Voltage current rating: 1A, 30Vac
- Insulation resistance: 1000M $\Omega$  min
- Contact resistance: 30m $\Omega$  Max.
- Temperature range: -55 $^{\circ}$ C ~ +105 $^{\circ}$ C
- Dielectric withstanding voltage: 500Vac for 1 minute



Unit:mm

### ORDERING INFORMATION

Series	Type	Housing	Color	Plating
USB	S1: Straight w/fork S2: Straight w/o fork	1: PBT 2: LCP 3: Nylon 6T	WE: White BK: Black	S: Gold Flash G1: Gold 5 $\mu$ G2: Gold 10 $\mu$ *S can be omitted

# USF SERIES



## USB Right Angle Dual With Phone Jack Connector

### APPLICATION AND FEATURES

#### Electrical

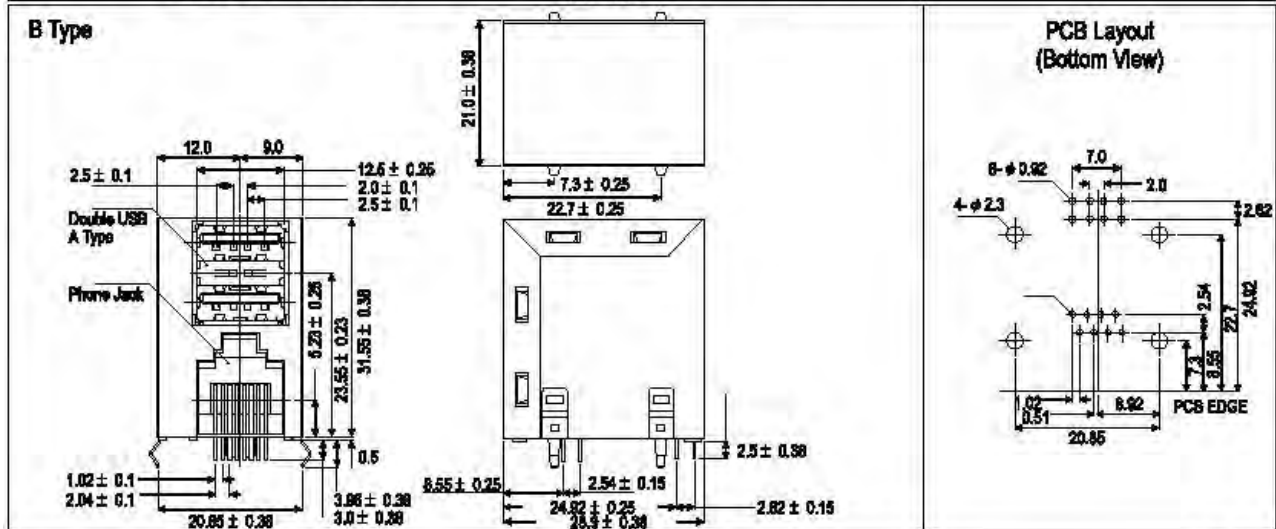
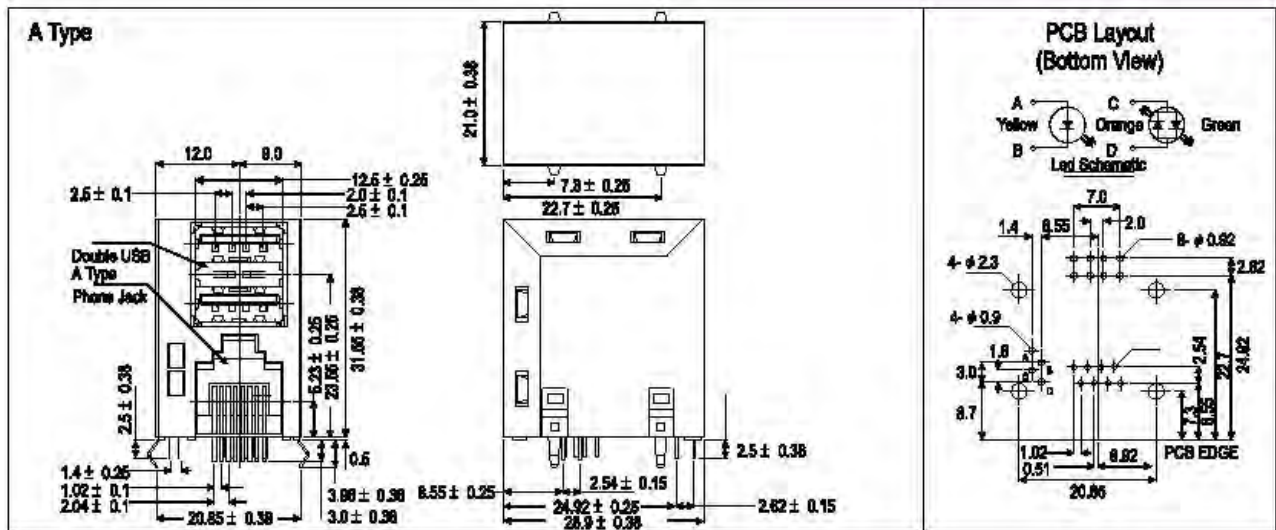
- Contact current rating: 1amp DC max
- Dielectric withstanding voltage: 750V AC for 1 minute
- Termination resistance: 30 megohms max
- Insulation resistance: 1000 megohms min
- Temperature rating: -55°C to +85°C

#### Materials

- Front & back shield: SPCC (T=0.25mm)
- Housing: PB.T. (black)
- Bottom cover & LED cover: PB.T. (black)
- Phone & USB terminal: Phosphor bronze
- Shield terminal: Brass

#### Plating

- Front & back shield: Nickel plated
- Phone terminal: Gold plated
- USB terminal: Gold-tin plated
- Shield terminal: Tin plated



Unit:mm

### ORDERING INFORMATION

Series	LED	Type	Housing	Color	Plating
USF	1:A type w/LED 2:B type w/o LED	S:with Spring N:w/o Spring	1:PBT 2:LCP 3:Nylon 6T	WE: White BK:Black	S:Gold Flash G1:Gold 5 μ G1:Gold 10 μ *S can be omitted



# USM SERIES

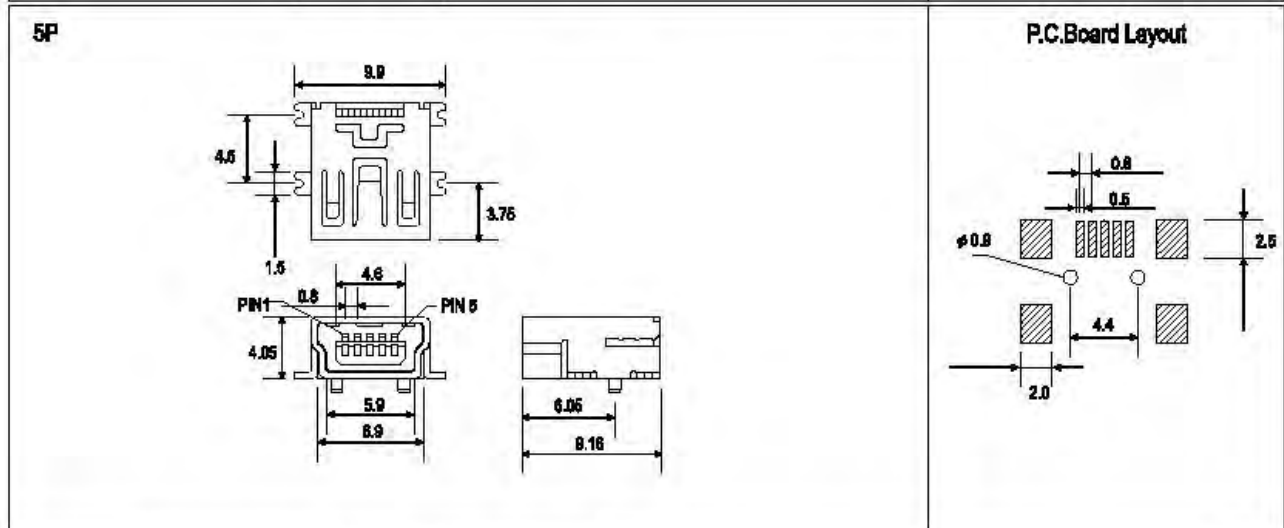
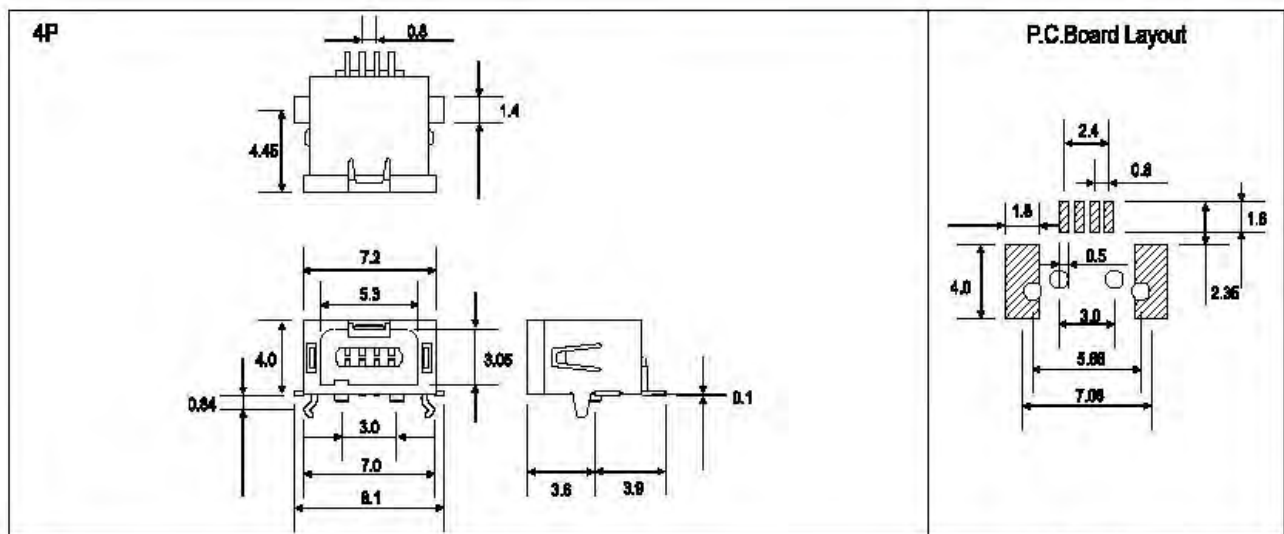
## Mini USB Connectors SMT Type



### APPLICATION AND FEATURES

#### Specification

- Contact material: Phosphor bronze
- Plastic material: I 403G6-GBK4-30% Glass Fiber PBT.
- Shell material: SPCC
- Voltage rating: 30V AC(rms)
- Current rating: 1A
- Contact resistance: 500Ω Max.
- Dielectric withstanding voltage: 100V AC(rms) for 1 minute
- Insulation resistance: 100Megohms. Min(DC500V).
- Durability: 1500 Cycles.



Unit:mm

### ORDERING INFORMATION

Series	No of Contact	Type	Housing	Color	Plating
USM	4,5	Nw/o Lock L:with Lock	1:PBT 2:LCP 3:Nylon 6T	WE: White BK:Black	T:Tin G:Gold Flash G1:Gold 5 μ S:Selective gold *S can be omitted

