



Distributed in the UK by:

Power Component Distribution
Diamond Electronics Ltd

Product Focus – Fast Recovery Diode Modules



Based in South Korea, Magnachip Semiconductor was spun out of an LG Semiconductor and Hyundai Semiconductor JV for power devices.

Magnachip's current revenue is in excess of 800M USD providing high quality power devices to the power electronic market..

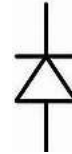
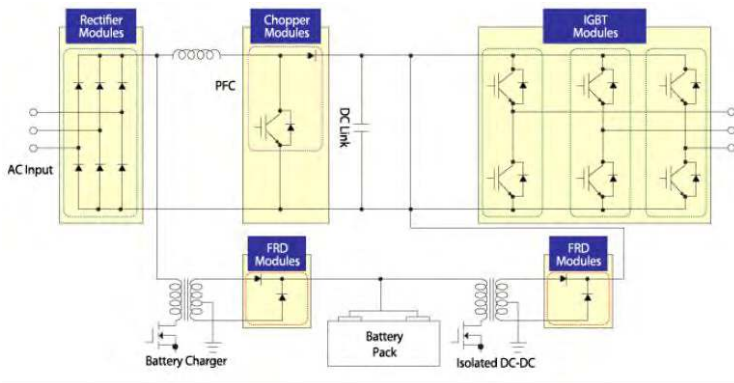
Magnachip uses its own wafer fabs to produce up to 130,000 8" wafers per month and is rapidly replacing Infineon and ST Microelectronics in the market.

Certified ISO/TS 16949, ISO 14001, OHSAS 18001, REACH etc.

MAGNACHIP: 400V, 600V and 1200V Fast Recovery Diodes

Magnachip provide the latest in Fast Recovery Diode technology packaged in high reliability isolated base outlines that provide the design engineer a platform for fast switching rectification.

Regardless if the application is a fast switching input rectifier stage, Chopper diode, secondary or output rectification stage, Magnachip's FRD products provide low loss, low EMI and fast switching products combined with designed in reliability.



SOT-227
(38 x 25 x 12 mm)



2DM-1
(80 x 40 x 26.5 mm)



5DM-1
(94 x 27 x 24mm)



5DM-2
(93 x 35 x 31 mm)



3DM-2NI
(92 x 27 x 17.3 mm)



* Note the 3DM-2NI package is not UL qualified



Product Focus – Fast Recovery Diode Modules

MAGNACHIP: 400V – 1200V FRD Modules

Product Family	Product Number	V _{RRM} [V]	I _F [Avg A]	V _F [Typ V]	trr [Typ ns]	I _{RRM} [mA]	Internal Circuit	Package
400V	MPSC2N100U40	400	100 X 2	1.00	60	1.00	F	SOT-227
	MPKB2SA100U40	400	100 X 2	1.00	60	1.00	A	5DM-1
	MPKB2CA100U40	400	100 X 2	1.00	60	1.00	C	5DM-1
	MPKC2SA150U40	400	150 X 2	1.00	80	1.00	A	5DM-2
	MPKC2CA150U40	400	150 X 2	1.00	80	1.00	C	5DM-2
	MPKC2SA200U40	400	200 X 2	1.00	100	1.00	A	5DM-2
	MPKC2CA200U40	400	200 X 2	1.00	100	1.00	C	5DM-2
	MPGB1N300U40	400	300 X 1	1.00	125	1.00	H	2DM-1
	MPJC2CA100U40	400	100 X 2	1.00	60	1.00	G	3DM-2NI
	MPJC2CA150U40	400	150 X 2	1.00	80	1.00	G	3DM-2NI
	MPJC2CA200U40	400	200 X 2	1.00	100	1.00	G	3DM-2NI
600V	MPSC2N100U60	650	100 X 2	1.45	90	1.00	F	SOT-227
	MPKB2CA100U60	650	100 X 2	1.45	90	1.00	C	5DM-1
	MPKB2CB100U60	650	100 X 2	1.45	90	1.00	D	5DM-1
	MPKB2CA150U60	650	150 X 2	1.45	40	1.00	C	5DM-1
	MPKC2SA150U60	650	150 X 2	1.45	40	1.00	A	5DM-2
	MPKC2CA150U60	650	150 X 2	1.45	40	1.00	C	5DM-2
	MPKC2SB150U60	650	150 X 2	1.45	40	1.00	B	5DM-2
	MPKC2CB150U60	650	150 X 2	1.45	40	1.00	D	5DM-2
	MPKC2SA200U60	650	200 X 2	1.45	110	1.00	A	5DM-2
	MPKC2CA200U60	650	200 X 2	1.45	110	1.00	C	5DM-2
	MPKC2SB200U60	650	200 X 2	1.45	110	1.00	B	5DM-2
	MPKC2CB200U60	650	200 X 2	1.45	110	1.00	D	5DM-2
	MPGB1N300U60	650	300 X 1	1.55	150	1.00	H	2DM-1
	MPJC2CA100U60	650	100 X 2	1.45	90	1.00	G	3DM-2NI
MPJC2CA150U60	650	150 X 2	1.45	40	1.00	G	3DM-2NI	
1200V	MPSC2N60U120	1200	60 X 2	2.20	110	1.00	F	SOT-227
	MPSC2N75U120	1200	75 X 2	2.20	110	1.00	F	SOT-227
	MPSC2N100U120	1200	100 X 2	2.20	110	1.00	F	SOT-227
	MPSC2N125U120	1200	125 X 2	2.20	110	1.00	F	SOT-227
	MPKB2SA75U120	1200	75 X 2	2.20	110	1.00	A	5DM-1
	MPKB2SA100U120	1200	100 X 2	2.20	110	1.00	A	5DM-1
	MPKB2SB100U120	1200	100 X 2	2.20	110	1.00	B	5DM-1

Internal Circuit Key:

