

4 Pin Transistor Output

Part Number	Features	Current Transfer Ratio $I_F = 5\text{mA}$ $V_{CE} = 5\text{V}$	Isolation Voltage	Continuous Forward Current	V_F $I_F = 20\text{mA}$	BV_{CEO} $I_C = 0.1\text{mA}$	I_{CEO} $V_{CE} = 20\text{V}$	$V_{CE(SAT)}$ $I_F = 10\text{mA}$ $I_C = 1\text{mA}$
		Min (%)	Min (KV _{RMS})	Max (mA)	Max (V)	Min (V)	Max (nA)	Max (V)
IS281	Single channel Optocoupler with Phototransistor Output	50-600 40-600 $I_F = 10\text{mA}$ $V_{CE} = 5\text{V}$	3.75	50	1.4	80	100	0.2
IS3H7		50-600 40-600 $I_F = 10\text{mA}$ $V_{CE} = 5\text{V}$						
IS2801-1		50-600						

8 Pin Transistor Output

Part Number	Features	Current Transfer Ratio $I_F = 10\text{mA}$ $V_{CE} = 5\text{V}$	Isolation Voltage	Continuous Forward Current	V_F $I_F = 10\text{mA}$	BV_{CEO} $I_C = 0.1\text{mA}$	I_{CEO} $V_{CE} = 10\text{V}$	$V_{CE(SAT)}$ $I_F = 10\text{mA}$ $I_C = 2.4\text{mA}$
		Min (%)	Min (KV _{RMS})	Max (mA)	Max (V)	Min (V)	Max (nA)	Max (V)
MOCD207	Dual channel Optocoupler with Phototransistor Output	100-200 34 $I_F = 1\text{mA}$ $V_{CE} = 5\text{V}$	3.75	60	1.5	80	50	0.4
MOCD217		100 $I_F = 1\text{mA}$ $V_{CE} = 5\text{V}$						

16 Pin Transistor Output

Part Number	Features	Current Transfer Ratio $I_F = 5\text{mA}$ $V_{CE} = 5\text{V}$	Isolation Voltage	Continuous Forward Current	V_F $I_F = 20\text{mA}$	BV_{CEO} $I_C = 0.1\text{mA}$	I_{CEO} $V_{CE} = 50\text{V}$	$V_{CE(SAT)}$ $I_F = 8\text{mA}$ $I_C = 2.4\text{mA}$
		Min (%)	Min (KV _{RMS})	Max (mA)	Max (V)	Min (V)	Max (nA)	Max (V)
IS281-4	Quad channel Optocoupler with Phototransistor Output	50-600	3.75	50	1.4	80	100	0.4
IS2801-4								

Half Pitch Optocouplers

4 Pin AC Input

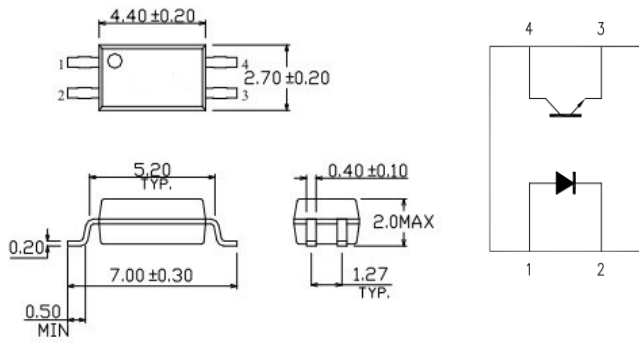
Part Number	Features	Current Transfer Ratio $I_F = \pm 1\text{mA}$ $V_{CE} = 5\text{V}$	Isolation Voltage	Continuous Forward Current	V_F $I_F = \pm 50\text{mA}$	BV_{CEO} $I_C = 0.1\text{mA}$	I_{CEO} $V_{CE} = 20\text{V}$	$V_{CE(SAT)}$ $I_F = \pm 20\text{mA}$ $I_C = 1\text{mA}$
		Min (%)	Min (KV_{RMS})	Max (mA)	Max (V)	Min (V)	Max (nA)	Max (V)
IS2805	Single channel Optocoupler with Phototransistor Output	20-300	3.75	± 50	1.6	80	100	0.2
IS3H4								

16 Pin AC Input

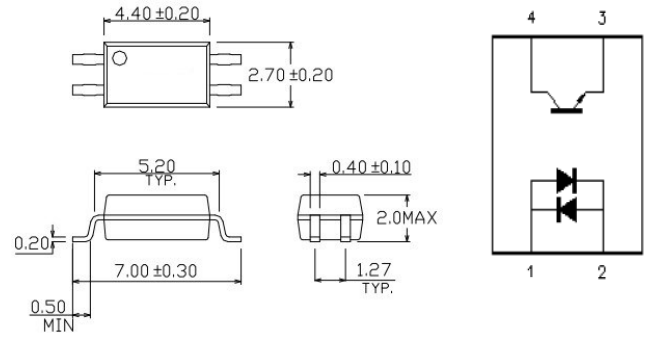
Part Number	Features	Current Transfer Ratio $I_F = \pm 1\text{mA}$ $V_{CE} = 5\text{V}$	Isolation Voltage	Continuous Forward Current	V_F $I_F = \pm 20\text{mA}$	BV_{CEO} $I_C = 0.1\text{mA}$	I_{CEO} $V_{CE} = 50\text{V}$	$V_{CE(SAT)}$ $I_F = \pm 8\text{mA}$ $I_C = 2.4\text{mA}$
		Min (%)	Min (KV_{RMS})	Max (mA)	Max (V)	Min (V)	Max (nA)	Max (V)
IS2805-4	Quad channel Optocoupler with Phototransistor Output	20-400	3.75	± 50	1.4	80	100	0.4

Half Pitch Optocouplers

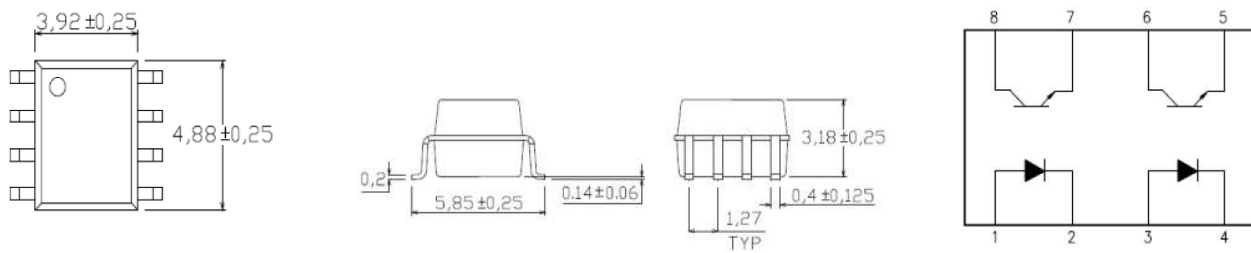
4 Pin Transistor Output



4 Pin AC Input Transistor Output



8 Pin Transistor Output



16 Pin Transistor Output / 16 Pin AC Input

