



AC-DC Converter

1. 1-5W SIP economic LS series.....22
2. 5-25W High performance & compact size series.....23-24
3. 5-25W 85~305VAC wide input voltage LH-13B series25-26
4. 5-25W -40°C Low temperature & high reliability LB-10B_LT series.....27-28
5. 40-60W LH series.....29
6. 24-120W DIN-Rail LI series..... 29-30
7. Power supplier for electric power industry.....31
8. 100W 165-264VAC Input AC-DC capacitor charging MCP series.....31

LS01-SS & LS03-R2S

1-3W Economic AC-DC Converter

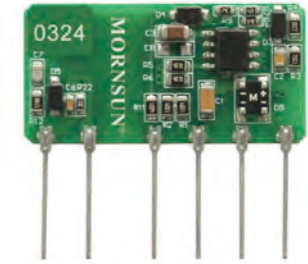
Features

- Wide input voltage range: 85~264VAC, 70~400VDC
- Operating temperature: -40°C~ +85°C
- No derating during -25°C~ +55°C
- High efficiency, small dimension
- Cost effective, high reliability
- UL/EN60950 certified
- Over current protection, short circuit protection
- Optional right angle pin-out product, minimizing product height

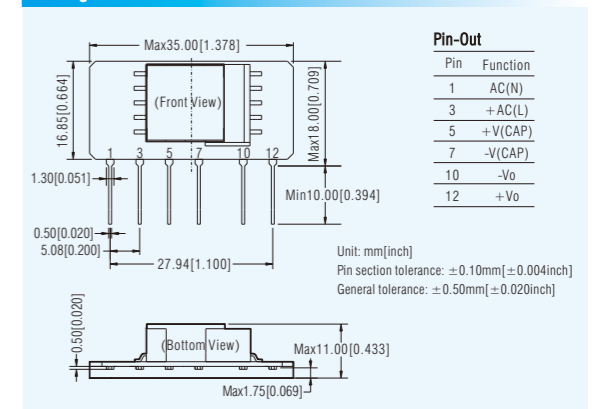
Product Program

Model Number	Power	Output Voltage/Current (Vo/Io)	Ripple & Noise (typ)	Effi(%) (typ)
LS01-15B05SS	1W	5V/200mA	50mVp-p	66
LS01-15B09SS		9V/111mA		67
LS01-15B12SS		12V/83mA		70
LS01-15B15SS		15V/67mA		69
LS01-15B24SS		24V/42mA		68
LS03-15B03SR2S	1.65W	3.3V/500mA	70mVp-p	63
LS03-15B05SR2S	2.5W	5V/500mA		68
LS03-15B09SR2S	3W	9V/333mA	50mVp-p	75
LS03-15B12SR2S		12V/250mA		77
LS03-15B15SR2S		15V/200mA		78
LS03-15B24SR2S		24V/125mA		80

Note: external electrolytic capacitor are required to models when AC input.



Package Dimension LxWxH: 35.00x18.00x11.00(mm)



LS05-SS

5W Economic AC-DC Converter

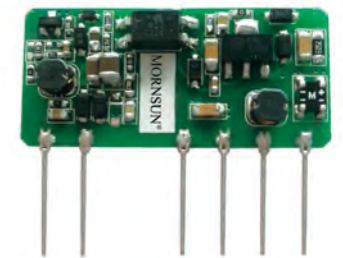
Features

- Wide input voltage range: 85~264VAC, 100~400VDC
- Operating temperature: -25°C~ +85°C
- No derating during 0°C~ +55°C
- High efficiency, small dimension, open frame SIP package
- Cost effective, high reliability
- Support parallel use
- UL/EN60950 certified
- Over current protection, short circuit protection

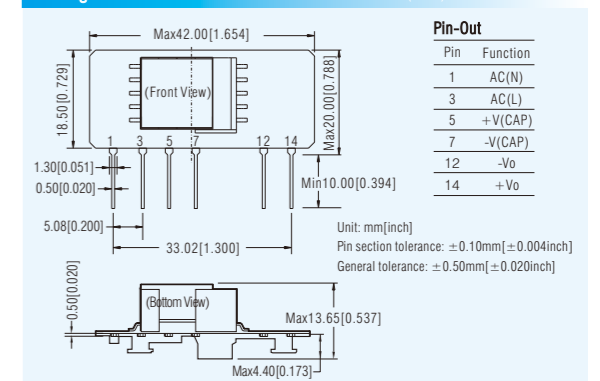
Product Program

Model Number	Power	Output Voltage/Current (Vo/Io)	Ripple & Noise (typ)	Effi(%) (typ)
LS05-15B03SS	3.3W	3.3V/1000mA	50mVp-p	67
LS05-15B05SS	5W	5V/1000mA	50mVp-p	74
LS05-15B09SS		9V/560mA		75
LS05-15B12SS		12V/420mA		76
LS05-15B15SS		15V/340mA		77
LS05-15B24SS		24V/210mA		79

Note: external electrolytic capacitor are required to models when AC input.



Package Dimension LxWxH: 42.00x20.00x13.65(mm)



• This catalog is for reference only, please visit our website for detailed datasheets: www.mornsun-power.com

LH Series

5-25W AC-DC Converter

Features

- Universal input voltage range: 85~264VAC, 120~370VDC
- Operating temperature: -25°C~+70°C
- Isolation: 3000VAC
- Ripple & noise down to 50mVp-p
- High efficiency, low consumption
- EMI meet EN55022 CLASS B
- UL/EN60950 certified
- Over current, short circuit and over voltage protection
- Optional package: PCB mounting, chassis mounting and (TS35) DIN-Rail mounting
- Suitable for electric power, industrial control, instrument application



UL US CE RoHS

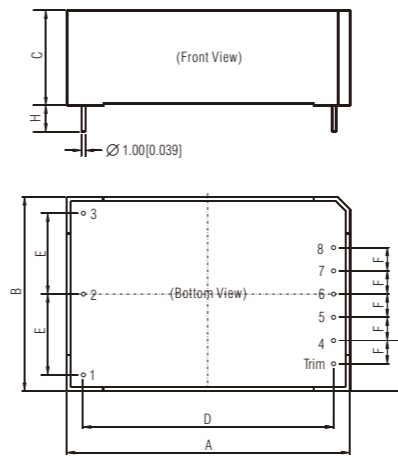
Product Program

Model Number	Power	Output (Vo1/Io1)	Output (Vo2/Io2)	Ripple & Noise (typ)	Effi(%) (typ)
LH15-10B03	9.9W	3.3V/3000mA			73
LH15-10B05		5V/2800mA			76
LH15-10B09		9V/1600mA			78
LH15-10B12		12V/1250mA			80
LH15-10B15		15V/1000mA			80
LH15-10B24		24V/625mA			84
LH15-10B48		48V/320mA			85
LH15-10A05		+5V/1500mA	-5V/1500mA		76
LH15-10A12		+12V/650mA	-12V/650mA		81
LH15-10A15	15W	+15V/500mA	-15V/500mA	50mVp-p	83
LH15-10C0505-05		5V/2000mA	±5V/500mA		75
LH15-10C0512-02		5V/2000mA	±12V/200mA		77
LH15-10C0515-02		5V/1800mA	±15V/200mA		78
LH15-10C0524-01		5V/2000mA	±24V/100mA		78
LH15-10D0505-08		5V/2200mA	5V/800mA		76
LH15-10D0512-04		5V/2000mA	12V/400mA		80
LH15-10D0515-03		5V/2000mA	15V/300mA		80
LH15-10D0524-02		5V/2000mA	24V/200mA		81
LH20-10B03		3.3V/4100mA			73
LH20-10B05		5V/3500mA			75
LH20-10B09		9V/2100mA			77
LH20-10B12		12V/1600mA			81
LH20-10B15		15V/1300mA			83
LH20-10B24		24V/850mA			85
LH20-10A05		+5V/2000mA	-5V/2000mA		75
LH20-10A12		+12V/830mA	-12V/830mA		82
LH20-10A15	20W	+15V/650mA	-15V/650mA	50mVp-p	83
LH20-10C0505-05		5V/2500mA	±5V/500mA		74
LH20-10C0512-04		5V/2000mA	±12V/400mA		75
LH20-10C0515-03		5V/2000mA	±15V/300mA		76
LH20-10C0524-02		5V/2000mA	±24V/200mA		77
LH20-10D0512-06		5V/2500mA	12V/600mA		75
LH20-10D0515-05		5V/2500mA	15V/500mA		76
LH20-10D0524-03		5V/2500mA	24V/300mA		77
LH25-10B03		3.3V/4100mA			73
LH25-10B05		5V/4100mA			74
LH25-10B09		9V/2500mA			78
LH25-10B12	25W	12V/2100mA		50mVp-p	82
LH25-10B15		15V/1600mA			83
LH25-10B24		24V/1100mA			85
LH25-10B48		48V/500mA			87

Note: 1. series with suffix "A2" are chassis mounting, with suffix "A4" are DIN-Rail mounting.
2. If the application has a higher requirement for EMC, you can choose our matching EMC auxiliary device.

• This catalog is for reference only, please visit our website for detailed datasheets: www.mornsun-power.com

PCB Mounting Package Dimension



Unit: mm[inch]
Pin length(H): ≥6.00[0.236]
Pin diameter tolerance: ±0.10[±0.004]
General tolerance: ±0.50[±0.020]

Outline & Dimensions

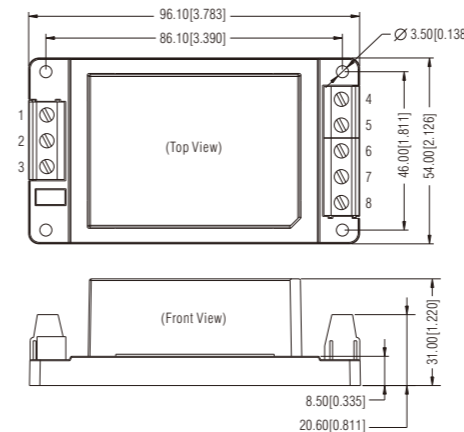
NO.	LH05	LH10	LH15	LH20	LH25
A	48.50	55.00	62.00	70.00	70.00
B	36.00	45.00	45.00	48.00	48.00
C	20.50	21.00	22.50	23.50	23.50
D	40.50	47.00	54.00	62.00	62.00
E	12.50	17.50	17.50	20.00	20.00
F	4.00	5.00	5.00	5.75	5.75
G	10.00	12.50	12.50	12.50	12.50

Pin-Out

Pin	LH-10B	LH-10A	LH-10C	LH-10D
1	⏏	⏏	⏏	⏏
2	AC(N)	AC(N)	AC(N)	AC(N)
3	AC(L)	AC(L)	AC(L)	AC(L)
4	-Vo	-Vo	-Vo1	-Vo1
5	No Pin	No Pin	+Vo1	+Vo1
6	No Pin	COM	-Vo2	No Pin
7	No Pin	No Pin	COM	-Vo2
8	+Vo	+Vo	+Vo2	+Vo2
Trim	Trim**	No Pin	No Pin	No Pin

Note: There is no pin "1" ⏏ on LH15-10B
Trim**: only for LH20/25-10B Series

A2 Chassis Mounting Package Dimension



Outline & Dimensions

Series	Dimensions
LH05_A2	96.1x54.0x29.0(mm)
LH10_A2	96.1x54.0x29.5(mm)
LH15_A2	96.1x54.0x31.0(mm)
LH20_A2	96.1x54.0x32.0(mm)
LH25_A2	96.1x54.0x32.0(mm)

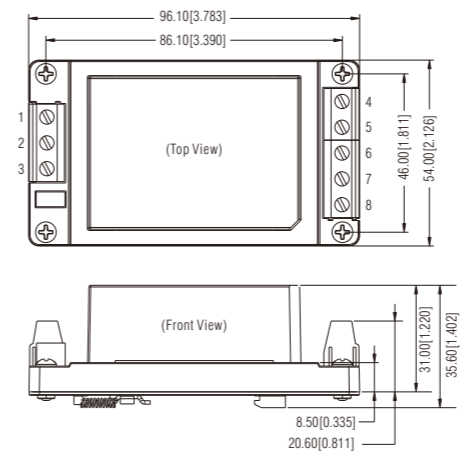
Unit: mm[inch]
General tolerance: ±0.50[±0.020]
The figure above is related to LH15 series, the height of other series is different.

Pin-Out

Pin	LH-10B	LH-10A	LH-10C	LH-10D
1	⏏	⏏	⏏	⏏
2	AC(N)	AC(N)	AC(N)	AC(N)
3	AC(L)	AC(L)	AC(L)	AC(L)
4	-Vo	-Vo	-Vo1	-Vo1
5	NC	NC	+Vo1	+Vo1
6	NC/Trim**	COM	-Vo2	NC
7	NC	COM	COM	-Vo2
8	+Vo	+Vo	+Vo2	+Vo2

Note: There is no pin "1" ⏏ on LH15-10B_A2
NC/Trim**: The pin is Trim on LH20/25-10B_A2, The pin is not connected on other single output products

A4 DIN-Rail Mounting Package Dimension



Outline & Dimensions

Series	Dimensions
LH05_A4	96.1x54.0x33.6(mm)
LH10_A4	96.1x54.0x34.1(mm)
LH15_A4	96.1x54.0x35.6(mm)
LH20_A4	96.1x54.0x36.6(mm)
LH25_A4	96.1x54.0x36.6(mm)

Unit: mm[inch]
General tolerance: ±0.50mm[±0.020]
The figure above is related to LH15 series, the height of other series is different.

Pin-Out

Pin	LH-10B	LH-10A	LH-10C	LH-10D
1	⏏	⏏	⏏	⏏
2	AC(N)	AC(N)	AC(N)	AC(N)
3	AC(L)	AC(L)	AC(L)	AC(L)
4	-Vo	-Vo	-Vo1	-Vo1
5	NC	NC	+Vo1	+Vo1
6	NC/Trim**	COM	-Vo2	NC
7	NC	COM	COM	-Vo2
8	+Vo	+Vo	+Vo2	+Vo2

Note: There is no pin "1" ⏏ on LH15-10B_A4
NC/Trim**: The pin is Trim on LH20/25-10B_A4, The pin is not connected on other single output products

• This catalog is for reference only, please visit our website for detailed datasheets: www.mornsun-power.com

LH(05-25)-13B Series

85~305VAC Wide Input Range AC-DC Converter



Features

- Wide input voltage range: 85~305VAC, 120~430VDC
- Operating temperature: -40°C~+70°C
- Conversion efficiency up to 87%
- Meet IEC60950, EN60950 and UL60950 standards
- Over current, short circuit and over-voltage protection
- Optional package: PCB mounting, chassis mounting and (TS35) DIN-Rail mounting
- Suitable for electric power, industrial control, instrument application



Product Program

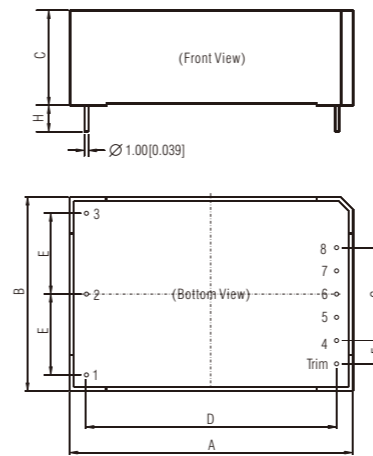
Model Number	Power	Nominal Output Voltage and Current(Vo/Io)	Efficiency (230VAC, %/typ.)	Max. Capacitive Load(μF)
LH05-13B03	4W	3.3V/1250mA	72	4000
LH05-13B05	5W	5V/1000mA	77	4000
LH05-13B09		9V/550mA	79	1800
LH05-13B12		12V/420mA	81	1800
LH05-13B15		15V/330mA	82	1500
LH05-13B24		24V/230mA	84	330
LH10-13B03	6.6W	3.3V/2000mA	70	26000
LH10-13B05	10W	5V/2000mA	76	9400
LH10-13B09		9V/1100mA	78	3600
LH10-13B12		12V/900mA	80	2400
LH10-13B15		15V/700mA	81	1200
LH10-13B24		24V/450mA	82	370
LH15-13B03	9.9W	3.3V/3000mA	74	36000
LH15-13B05	15W	5V/2800mA	78	20000
LH15-13B09		9V/1600mA	79	6000
LH15-13B12		12V/1250mA	82	3000
LH15-13B15		15V/1000mA	82	3000
LH15-13B24		24V/625mA	84	900
LH15-13B48		48V/320mA	85	370

Note: 1. series with suffix "A2" are chassis mounting, with suffix "A4" are DIN-Rail mounting.
2. If the application has a higher requirement for EMC, you can choose our matching EMC auxiliary device.

Product Program

Model Number	Power	Nominal Output Voltage and Current(Vo/Io)	Efficiency (230VAC, %/typ.)	Max. Capacitive Load(μF)
LH20-13B03	13.5W	3.3V/4100mA	75	48000
LH20-13B05	17.5W	5V/3500mA	78	12240
LH20-13B09		9V/2100mA	79	5600
LH20-13B12		12V/1600mA	83	5400
LH20-13B15		15V/1300mA	84	2400
LH20-13B24		24V/850mA	85	1840
LH25-13B03	13.5W	3.3V/4100mA	75	48000
LH25-13B05	20.5W	5V/4100mA	78	12240
LH25-13B09		9V/2500mA	79	5600
LH25-13B12		12V/2100mA	83	5400
LH25-13B15		15V/1600mA	84	2400
LH25-13B24		24V/1100mA	85	1440
LH25-13B48		48V/500mA	87	800

PCB Mounting Package Dimension



Unit: mm[inch]
Pin length(H): $\geq 6.00[0.236]$
Pin diameter tolerance: $\pm 0.10[\pm 0.004]$
General tolerance: $\pm 0.50[\pm 0.020]$

Outline & Dimensions

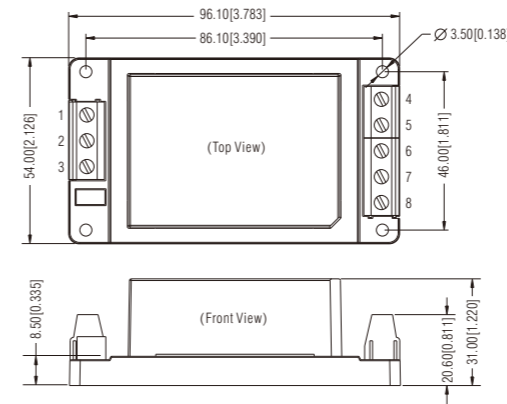
NO.	LH05	LH10	LH15	LH20	LH25
A	55.00	55.00	62.00	70.00	70.00
B	45.00	45.00	45.00	48.00	48.00
C	21.00	21.00	22.50	23.50	23.50
D	40.50	47.00	54.00	62.00	62.00
E	12.50	17.50	17.50	20.00	20.00
F	-	-	-	5.75	5.75
G	16.00	20.00	20.00	23.00	23.00

Pin-Out

Pin	LH-13B
1	\perp
2	AC(N)
3	AC(L)
4	-Vo
5	No Pin
6	No Pin
7	No Pin
8	+Vo
Trim	Trim**

Note: There is no pin "1" \perp on LH15-13B
Trim**: only for LH20/25-13B Series

A2 Chassis Mounting Package Dimension



Outline & Dimensions

Series	Dimensions
LH05_A2	96.1x54.0x29.5(mm)
LH10_A2	96.1x54.0x29.5(mm)
LH15_A2	96.1x54.0x31.0(mm)
LH20_A2	96.1x54.0x32.0(mm)
LH25_A2	96.1x54.0x32.0(mm)

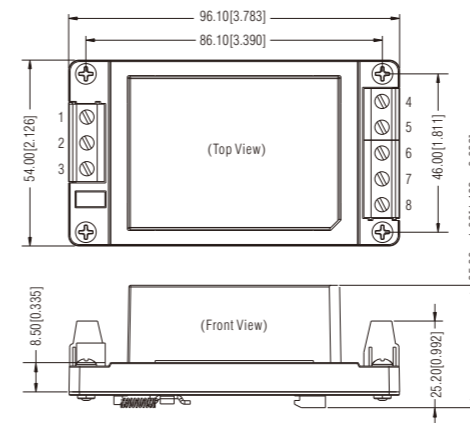
Unit: mm[inch]
General tolerance: $\pm 0.50[\pm 0.020]$
The figure above is related to LH15 series, the height of other series is different.

Pin-Out

Pin	LH-13B
1	\perp
2	AC(N)
3	AC(L)
4	-Vo
5	No Pin
6	No Pin
7	No Pin
8	+Vo
Trim	Trim**

Note: There is no pin "1" \perp on LH15-13B_A2
NC/Trim**: The pin is Trim on LH20/25-13B_A2.

A4 DIN-Rail Mounting Package Dimension



Outline & Dimensions

Series	Dimensions
LH05_A4	96.1x54.0x34.1(mm)
LH10_A4	96.1x54.0x34.1(mm)
LH15_A4	96.1x54.0x35.6(mm)
LH20_A4	96.1x54.0x36.6(mm)
LH25_A4	96.1x54.0x36.6(mm)

Unit: mm[inch]
General tolerance: $\pm 0.50mm[\pm 0.020]$
Wire range: 24~12AWG
The figure above is related to LH15 series, the height of other series is different.

Pin-Out

Pin	LH-13B
1	\perp
2	AC(N)
3	AC(L)
4	-Vo
5	No Pin
6	No Pin
7	No Pin
8	+Vo
Trim	Trim**

Note: There is no pin "1" \perp on LH15-13B_A4
NC/Trim**: The pin is trim on LH20/25-13B_A4.

LB(05-25)-10B_LT Series

-40°C Low Temperature & High Reliability AC-DC Converter



Features

- Wide input voltage range: 85~264VAC, 120~370VDC
- Operating temperature: -40°C~+70°C
- Conversion efficiency up to 87%
- Meet IEC60950, EN60950 and UL60950 standards
- Over current, short circuit and over voltage protection
- Optional package: PCB mounting, chassis mounting and (TS35) DIN-Rail mounting
- Suitable for electric power, industrial control, instrument application



Product Program

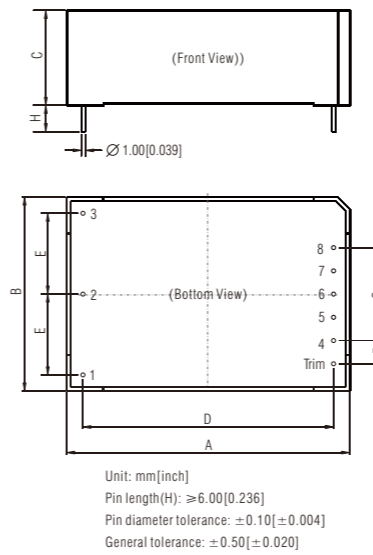
Model Number	Power	Nominal Output Voltage and Current(Vo/Io)	Efficiency (230VAC, %/typ.)	Max. Capacitive Load(μF)
LB05-10B03LT	4W	3.3V/1250mA	70	4000
LB05-10B05LT	5W	5V/1000mA	75	4000
LB05-10B09LT		9V/550mA	77	1800
LB05-10B12LT		12V/420mA	79	1800
LB05-10B15LT		15V/330mA	80	1500
LB05-10B24LT		24V/230mA	82	330
LB10-10B03LT	6.6W	3.3V/2000mA	70	26000
LB10-10B05LT	10W	5V/2000mA	76	9400
LB10-10B09LT		9V/1100mA	78	3600
LB10-10B12LT		12V/900mA	80	2400
LB10-10B15LT		15V/700mA	81	1200
LB10-10B24LT		24V/450mA	82	370
LB15-10B03LT	9.9W	3.3V/3000mA	73	36000
LB15-10B05LT	14W	5V/2800mA	76	20000
LB15-10B09LT	15W	9V/1600mA	78	6000
LB15-10B12LT		12V/1250mA	80	3000
LB15-10B15LT		15V/1000mA	80	3000
LB15-10B24LT		24V/625mA	84	900
LB15-10B48LT		48V/320mA	85	370

Note: 1. series with suffix "A2" are chassis mounting, with suffix "A4" are DIN-Rail mounting.
2. if the application has a higher requirement for EMC, you can choose our matching EMC auxiliary device.

Product Program

Model Number	Power	Nominal Output Voltage and Current(Vo/Io)	Efficiency (230VAC, %/typ.)	Max. Capacitive Load(μF)
LB20-10B03LT	13.5W	3.3V/4100mA	74	48000
LB20-10B05LT	17.5W	5V/3500mA	78	12000
LB20-10B09LT	20W	9V/2100mA	80	7200
LB20-10B12LT		12V/1600mA	82	5400
LB20-10B15LT		15V/1300mA	83	2700
LB20-10B24LT		24V/850mA	85	1800
LB25-10B03LT	13.5W	3.3V/4100mA	74	48000
LB25-10B05LT	20.5W	5V/4100mA	79	12000
LB25-10B09LT	25W	9V/2500mA	81	5600
LB25-10B12LT		12V/2100mA	83	5400
LB25-10B15LT		15V/1600mA	84	2400
LB25-10B24LT		24V/1100mA	85	1400
LB25-10B48LT		48V/500mA	87	800

PCB Mounting Package Dimension



Outline & Dimensions

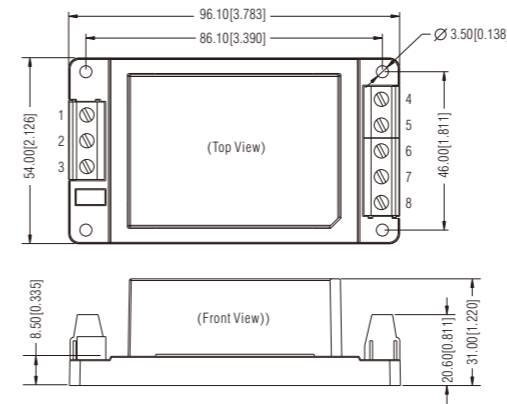
NO.	LB05	LB10	LB15	LB20	LB25
A	55.00	55.00	62.00	70.00	70.00
B	45.00	45.00	45.00	48.00	48.00
C	21.00	21.00	22.50	23.50	23.50
D	40.50	47.00	54.00	62.00	62.00
E	12.50	17.50	17.50	20.00	20.00
F	-	-	-	5.75	5.75
G	16.00	20.00	20.00	23.00	23.00

Pin-Out

Pin	LB-10B_LT
1	---
2	AC(N)
3	AC(L)
4	-Vo
5	No Pin
6	No Pin
7	No Pin
8	+Vo
Trim	Trim**

THERE IS NO PIN "1" --- ON LB15-10BXXLT
TRIM**: ONLY FOR LB20/25-10BXXLT SERIES.

A2 Chassis Mounting Package Dimension



Outline & Dimensions

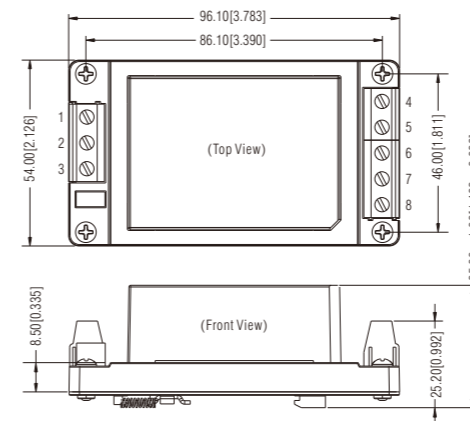
Series	Dimensions
LB05_A2	96.1x54.0x29.5(mm)
LB10_A2	96.1x54.0x29.5(mm)
LB15_A2	96.1x54.0x31.0(mm)
LB20_A2	96.1x54.0x32.0(mm)
LB25_A2	96.1x54.0x32.0(mm)

Pin-Out

Pin	LB-10B_LT
1	---
2	AC(N)
3	AC(L)
4	-Vo
5	No Pin
6	No Pin
7	No Pin
8	+Vo
Trim	Trim**

Note: There is no pin "1" --- on LB15-10B_A2
NC/Trim**: The pin is Trim on LB20/25-10B_A2.

A4 DIN-Rail Mounting Package Dimension



Outline & Dimensions

Series	Dimensions
LB05_A4	96.1x54.0x34.1(mm)
LB10_A4	96.1x54.0x34.1(mm)
LB15_A4	96.1x54.0x35.6(mm)
LB20_A4	96.1x54.0x36.6(mm)
LB25_A4	96.1x54.0x36.6(mm)

Pin-Out

Pin	LB-10B_LT
1	---
2	AC(N)
3	AC(L)
4	-Vo
5	No Pin
6	No Pin
7	No Pin
8	+Vo
Trim	Trim**

Note: There is no pin "1" --- on LB-10B_A4
NC/Trim**: The pin is Trim on LB20/25-10B_LT_A4.

LH40 & LH60

40-60W AC-DC Converter

Features

- Universal input voltage range: 85~264VAC, 120~370VDC
- Operating temperature: -40°C~+70°C
- Isolation: 3000VAC, 4000VAC
- Ripple & noise down to 50mVp-p
- High efficiency, low consumption
- EMI meet EN55022 CLASS B
- UL/EN60950 certified
- Output short circuit, over current, over voltage protection
- Suitable for electric power, industrial control, instrument application

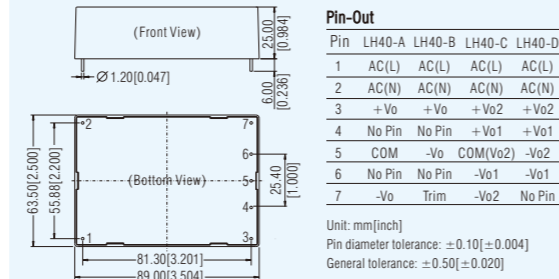
Product Program

Model Number	Power	Output (Vo1/Io1)	Output (Vo2/Io2)	Max. Capacitive Load (μF)	Ripple & Noise (typ)	Effi (%) (typ)	
LH40-10B03	26.4W	3.3V/8000mA		60000	50mVp-p	78	
LH40-10B05		5V/8000mA		40000		82	
LH40-10B09		9V/4444mA		12000		84	
LH40-10B12		12V/3333mA		9000		84	
LH40-10B15		15V/2666mA		7000		84	
LH40-10B24		24V/1667mA		2000		84	
LH40-10D0512-13	40W	5V/5000mA	12V/1250mA	10000/470		82	
LH40-10D0524-06		5V/5000mA	24V/625mA	10000/400		82	
LH40-10A05		+5V/4000mA	-5V/4000mA	±12000		82	
LH40-10A12		+12V/1666mA	-12V/1666mA	±4400		84	
LH40-10A15		+15V/1333mA	-15V/1333mA	±1000	84		
LH40-10C0512-06	60W	5V/5000mA	±12V/600mA	10000/±780	82		
LH40-10C0515-05		5V/5000mA	±15V/500mA	10000/±900	82		
LH60-20B05		50W	5V/10000mA		80000	150mVp-p	82
LH60-20B09			9V/6600mA		28000		84
LH60-20B12			12V/5000mA		14000		86
LH60-20B15		15V/4000mA		12000	86		
LH60-20B24		24V/2500mA		4000	86		
LH60-20B48		48V/1250mA		1000	86		

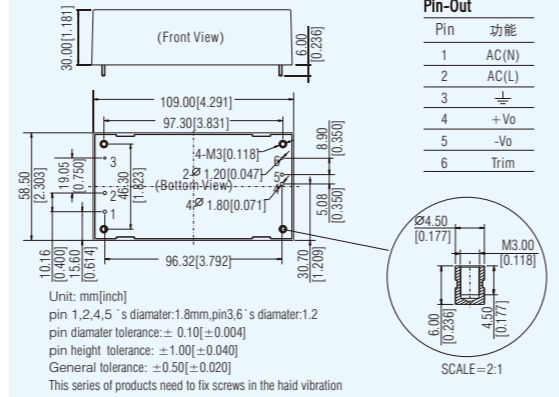


Package Dimension

LH40 LxWxH: 89.00x63.50x25.00(mm)



LH60 LxWxH: 109.00x58.50x30.00(mm)



LI72

72W DIN-Rail AC-DC Converter

Features

- Input voltage range: 165~264VAC, 180~370VDC
- Operating temperature: -25°C~+70°C
- Isolation: 4000VAC
- Efficiency up to 86%
- EMC meet EN55022/IEC61000 standard
- Over current protection, short circuit protection
- Suitable for electric power, industrial control, communication application

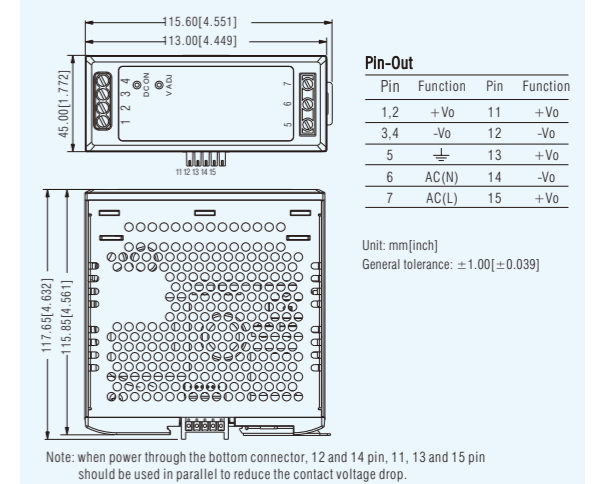
Product Program

Model Number	Power	Input Voltage Range	Output Voltage (VDC)	Output Current (mA)	Effi (%) (typ)
LI72-20B24	72W	165~264VAC	24	3000	86



RoHS

Package Dimension LxWxH: 113.00x45.00x17.65(mm)



LI120

120W DIN-Rail AC-DC Converter

Features

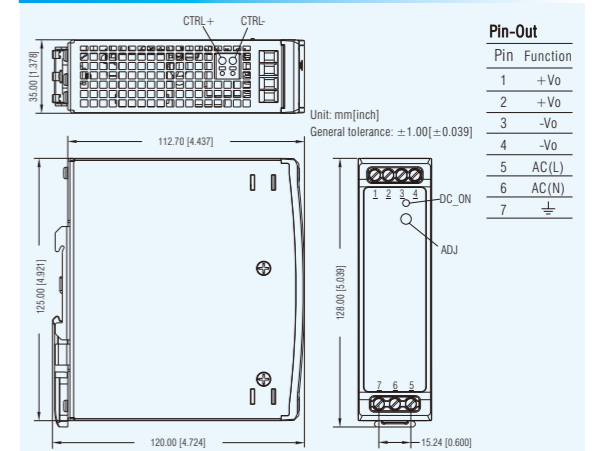
- Universal input voltage range: 90~264VAC, 120~370VDC
- Operating temperature: -25°C~+70°C
- Isolation: 3000VAC
- Efficiency up to 90%
- Over current, short circuit protection
- EMC meet EN55022/IEC61000 standard
- Suitable for electric power, industrial control, communication application

Product Program

Model Number	Power	Input Voltage Range	Output Voltage (VDC)	Output Current (mA)	Effi (%) (typ)
LI120-10B24	120W	90~264VAC	24	5000	92



Package Dimension LxWxH: 125.00x35.00x112.70(mm)



LI24

24W DIN-Rail AC-DC Converter

Features

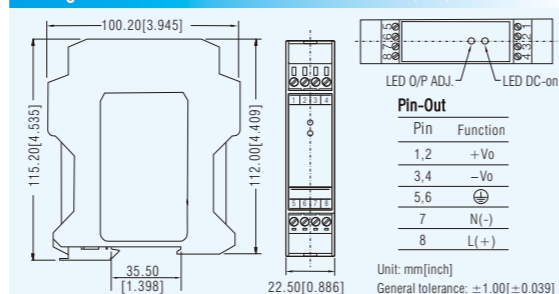
- Universal input voltage range: 90~264VAC, 120~370VDC
- Operating temperature: -25°C~+70°C
- Isolation: 3000VAC
- Ripple & noise down to 50mVp-p
- High efficiency, low consumption
- EMC meet EN55022/IEC61000 standards
- UL60950 certified
- Over voltage, over current, input under voltage, short circuit protection
- Suitable for electric power, industrial control, coal mine application

Product Program

Model Number	Power	Input Voltage Range	Output Voltage (VDC)	Output Current (mA)	Effi (%) (typ)
LI24-10B05	24W	100~240VAC (90~264VAC) 50/60Hz	5	4000±100	75
LI24-10B12			12	2000±100	85
LI24-10B24			24	1000±50	87



Package Dimension LxWxH: 100.20x22.50x115.20(mm)



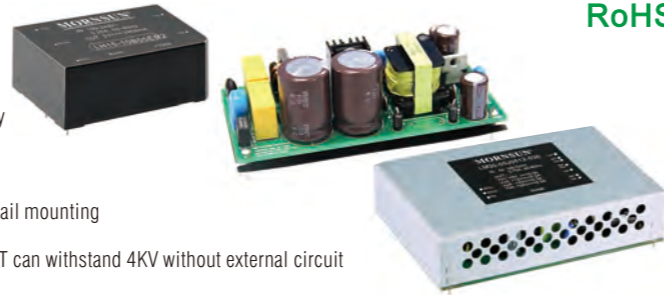
• This catalog is for reference only, please visit our website for detailed datasheets: www.mornsun-power.com

• This catalog is for reference only, please visit our website for detailed datasheets: www.mornsun-power.com

Power Supplier for Electric Power Industry

Features

- Operating temperature: -40°C~+70°C
- Efficiency up to 85%, low consumption, environmental friendly
- Over current, over voltage, short circuit protection
- Optional package: PCB mounting, chassis mounting and Din-Rail mounting
- Good EMC performance, surge can withstand 2KV/4KV and EFT can withstand 4KV without external circuit



RoHS

Product Program

Model Number	Power	Input Voltage Range	Output Voltage (VDC)	EMI	Effi(%) (typ)
LM30-00J0512-03E	30W	85~264VAC, 90~370VDC	5/±12/24	Class B	83
LH05-10B_E	5W	85~264VAC, 120~370VDC	5,9,12,24	Class B	79
LH05-10D_E	5W	85~264VAC, 120~370VDC	5/5,5/24	Class B	75
LH10-10B_ER2	10W	85~264VAC, 120~370VDC	12,24	Class A	81
LH10-10D_ER2	10W	85~264VAC, 120~370VDC	5/5,5/12,5/24	Class A	77
LH15-10B_ER2	15W	85~264VAC, 120~370VDC	5,12,24	Class A	83
LH15-10D_ER2	15W	85~264VAC, 120~370VDC	5/12,5/24	Class A	80
LH25-10B_ER2	25W	85~264VAC, 120~370VDC	5,12,24	Class A	85
LO10-24B_K	6.5W	30~280VAC, 30~400VDC	5,12,13	Class B	77
LO10-26D0512-04	10W	65~460VAC, 90~650VDC	5.1/12	Class B	78
LO18-26C0513-03	14W	65~460VAC, 90~650VDC	5.6/13/13	Class B	80

Note: if the application has a higher requirement for EMC, you can choose our matching EMC auxiliary device.

DC-DC Converter

1. PV series.....33-34
2. HK series.....35
3. Fixed input, isolated & unregulated output..... 35-47
4. Fixed input, isolated & regulated output.....48-51
5. 2:1 Wide input, isolated & regulated output.....51-59
6. 4:1 Ultra-wide input, isolated & regulated output.....60-70
7. Wide input, non-isolated & regulated output.....71-74

MCP100 Series

100W, 165~265VAC Input AC-DC Capacitor Charging Module Power Supply

RoHS

Features

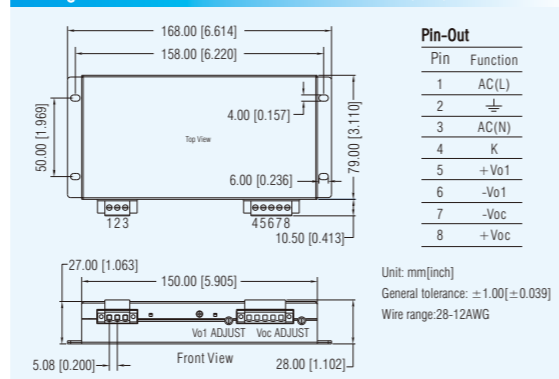
- With charging function, the output ultra-capacitor can be charged
- Industrial grade operating temperature: -40°C~+75°C
- Isolation: 3000VAC
- Output voltage continuously adjustable
- Chassis mounting
- MTBF > 100,000 H



Selection Guide

Part No	Power	Output Voltage/Current (Vo1/Io1)	Output Voltage/Current (Voc/Ioc)	Effi(%) (typ)
MCP100-2A27D27	100W	27V/1.5A	27V/3A	85

Package Dimension LxWxH: 168.00x79.00x28.00(mm)



• This catalog is for reference only, please visit our website for detailed datasheets: www.mornsun-power.com