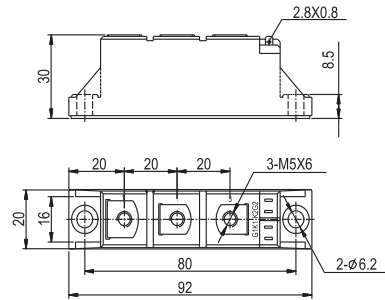
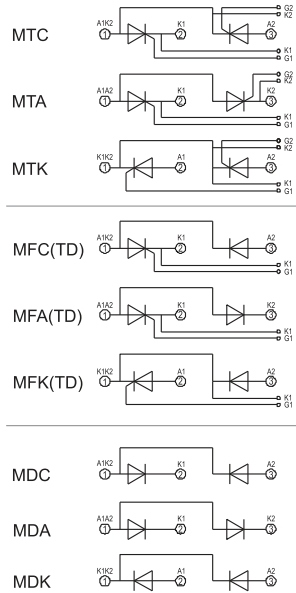


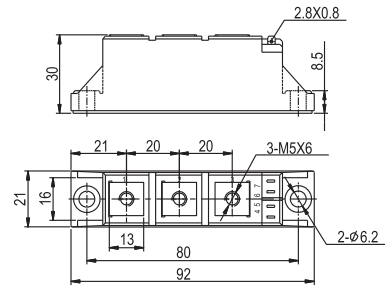
01



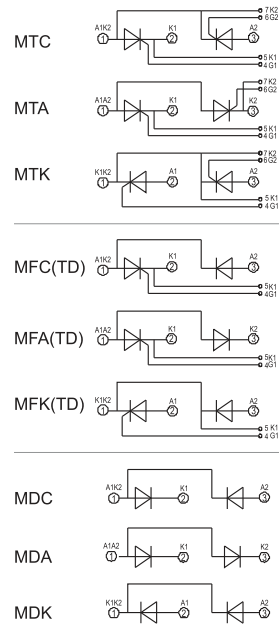
Terminal Torque	4.0N.m	Case Style	215F3
Mounting Torque	6.0N.m	Weight	105g



02

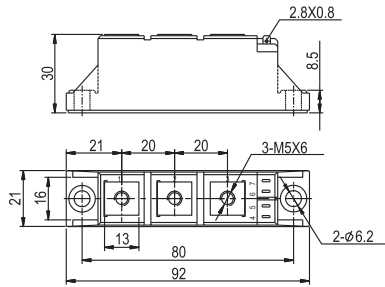


Terminal Torque	4.0N.m	Case Style	223F3
Mounting Torque	6.0N.m	Weight	160g

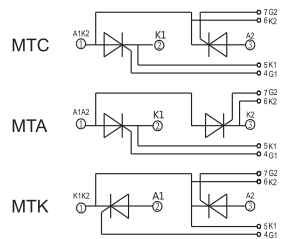


See P67 page table size tolerance

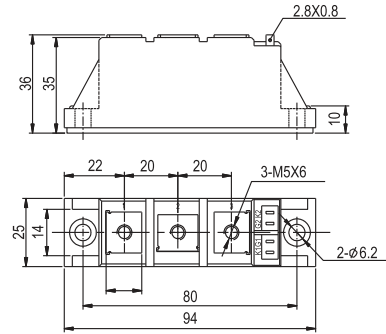
**02B**



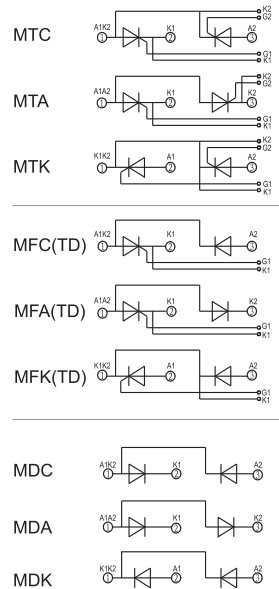
Terminal Torque	4.0N.m	Case Style	223F3B
Mounting Torque	6.0N.m	Weight	160g



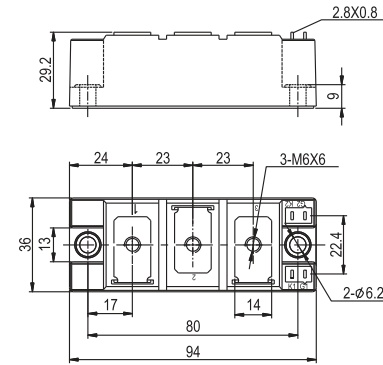
**03**



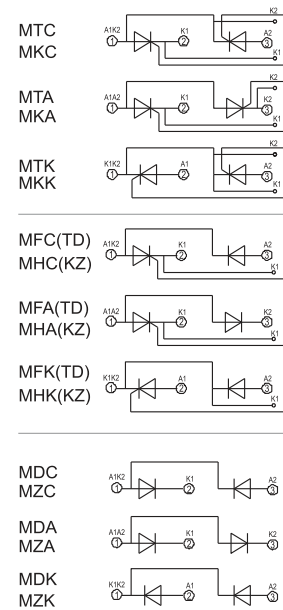
Terminal Torque	4.0N.m	Case Style	217F3
Mounting Torque	6.0N.m	Weight	150g



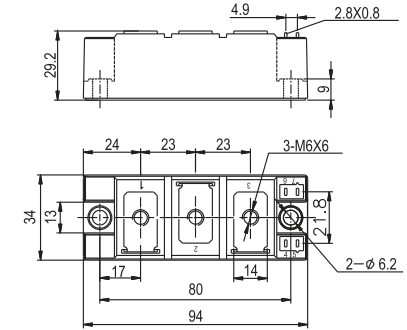
**04**



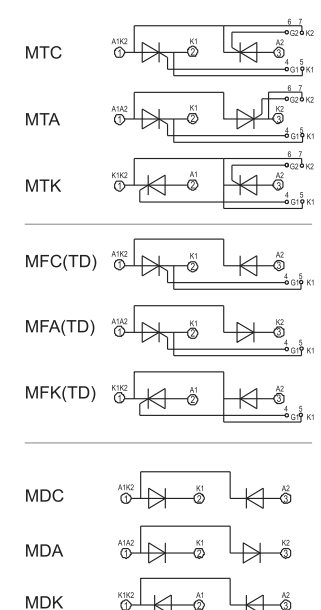
Terminal Torque	6.0N.m	Case Style	214F3
Mounting Torque	6.0N.m	Weight	305g



**05**



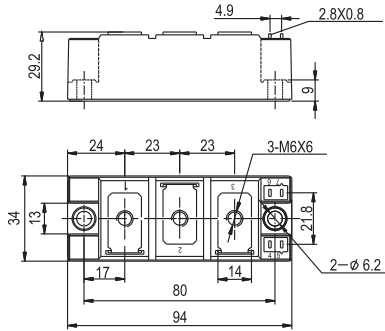
Terminal Torque	6.0N.m	Case Style	216F3
Mounting Torque	6.0N.m	Weight	285g



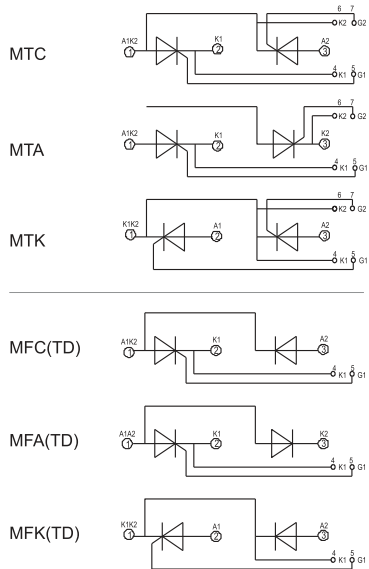
See P67 page table size tolerance

See P67 page table size tolerance

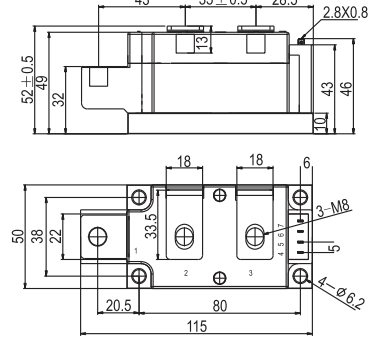
05B



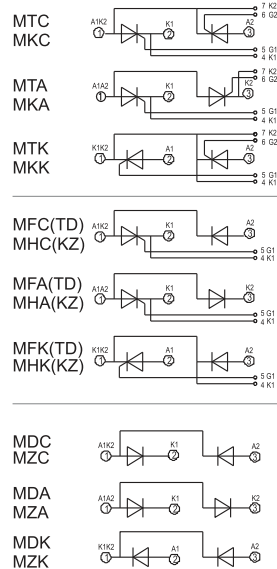
Terminal Torque	6.0N.m	Case Style	216F3B
Mounting Torque	6.0N.m	Weight	285g



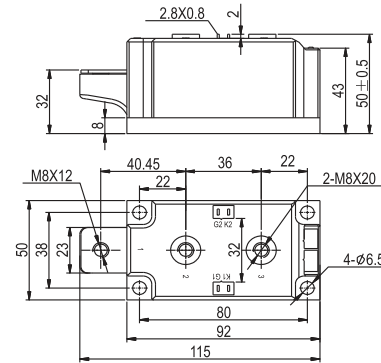
06



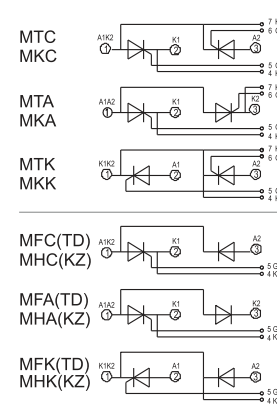
Terminal Torque	12.0N.m	Case Style	413F3D
Mounting Torque	6.0N.m	Weight	820g



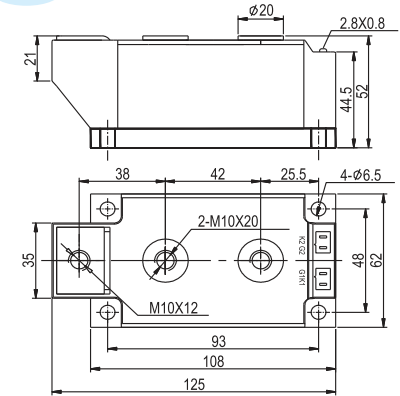
07



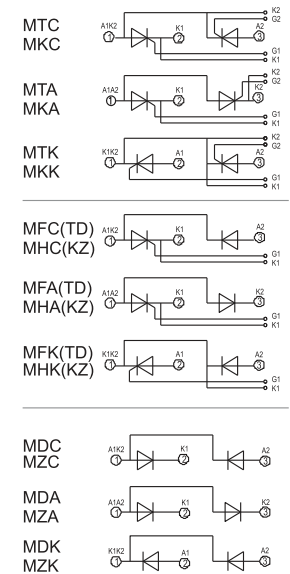
Terminal Torque	12.0N.m	Case Style	422F3
Mounting Torque	6.0N.m	Weight	820g



08



Terminal Torque	12.0N.m	Case Style	415F3
Mounting Torque	6.0N.m	Weight	1280g



See P67 page table size tolerance

See P67 page table size tolerance

**09**

Terminal Torque	12.0N.m	Case Style	417F2
Mounting Torque	6.0N.m	Weight	820g

MT

MD

See P67 page table size tolerance

**10**

Terminal Torque	12.0N.m	Case Style	424F3
Mounting Torque	6.0N.m	Weight	1280g

MTC

MKA

MKK

MFC(TD)

MHA(KZ)

MHK(TD)

MDC

MDA

MDK

See P67 page table size tolerance

**11**

Terminal Torque	12.0N.m	Case Style	414F3
Mounting Torque	6.0N.m	Weight	1970g

MTC

MTA

MTK

MFC(TD)

MFA(TD)

MFK(TD)

MDC

MDA

MDK

See P67 page table size tolerance

**12**

Terminal Torque	12.0N.m	Case Style	416F3
Mounting Torque	6.0N.m	Weight	1430g

MTC

MTA

MTK

MFC(TD)

MFA(TD)

MFK(TD)

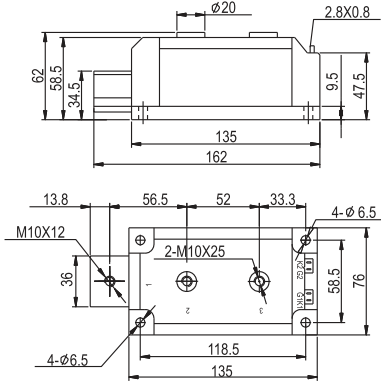
MDC

MDA

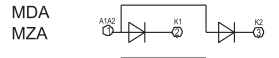
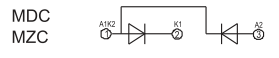
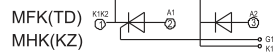
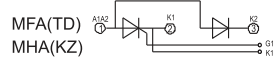
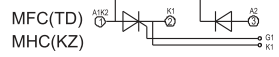
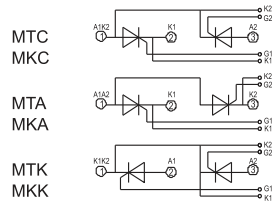
MDK

See P67 page table size tolerance

13

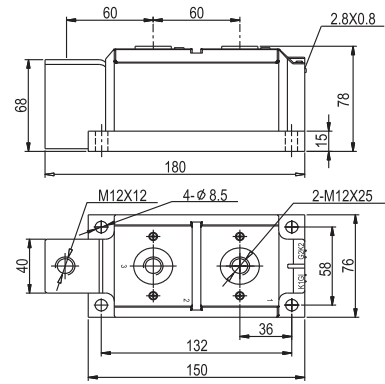


Terminal Torque	12.0N.m	Case Style	408F3
Mounting Torque	6.0N.m	Weight	2230g

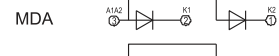
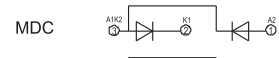
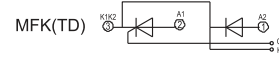
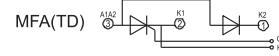
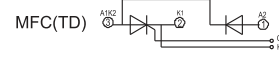
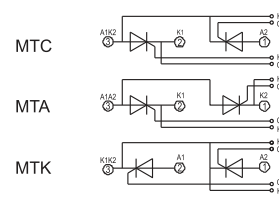


See P67 page table size tolerance

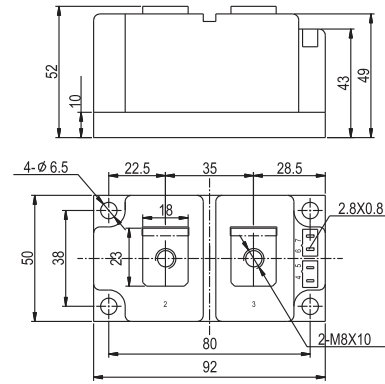
14



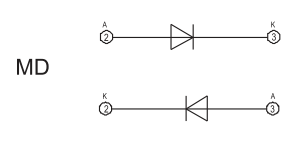
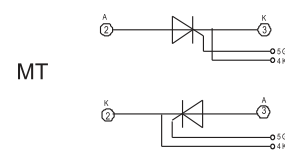
Terminal Torque	14.0N.m	Case Style	410F3
Mounting Torque	12.0N.m	Weight	3360g



15

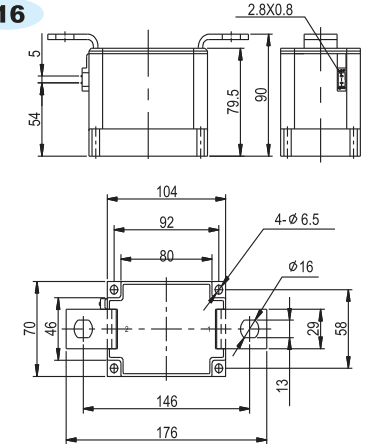


Terminal Torque	12.0N.m	Case Style	433F2
Mounting Torque	6.0N.m	Weight	765g

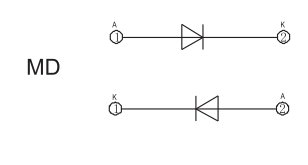
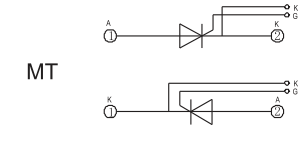


See P67 page table size tolerance

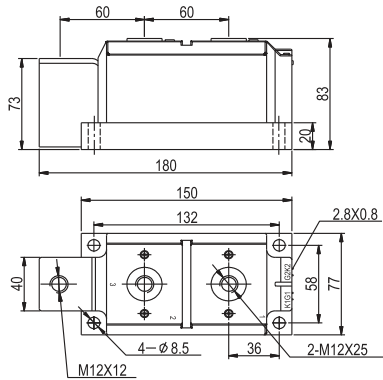
16



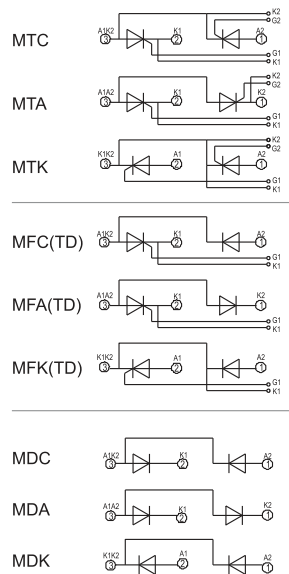
Terminal Torque	12.0N.m	Case Style	432F2
Mounting Torque	6.0N.m	Weight	2700g



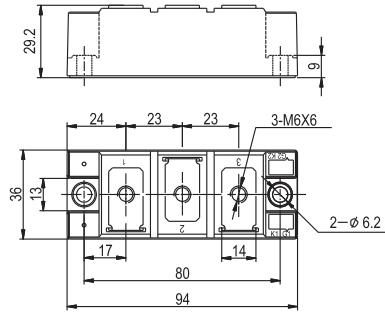
17



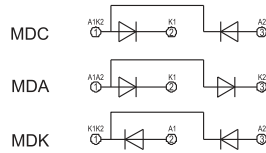
Terminal Torque	14.0N.m	Case Style	412F3
Mounting Torque	12.0N.m	Weight	3660g



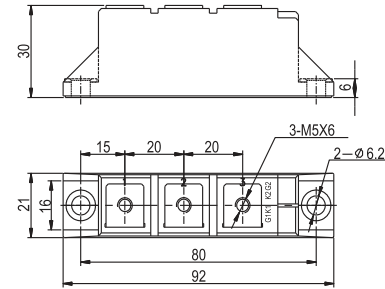
18



Terminal Torque	6.0N.m	Case Style	231F3
Mounting Torque	6.0N.m	Weight	320g



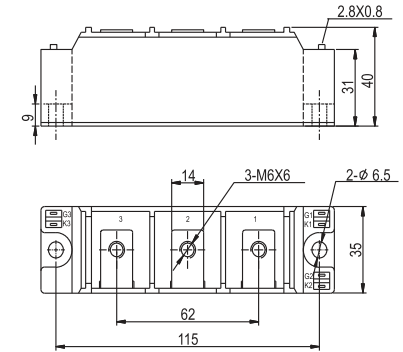
19



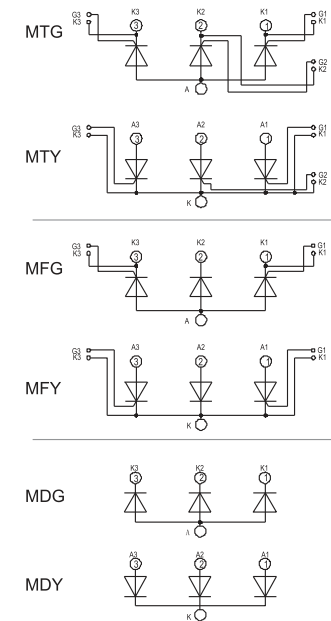
Terminal Torque	4.0N.m	Case Style	224H3
Mounting Torque	6.0N.m	Weight	165g



20



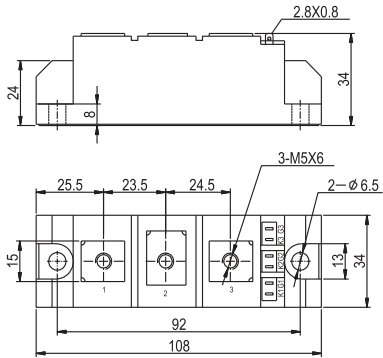
Terminal Torque	6.0N.m	Case Style	206F4
Mounting Torque	6.0N.m	Weight	365g



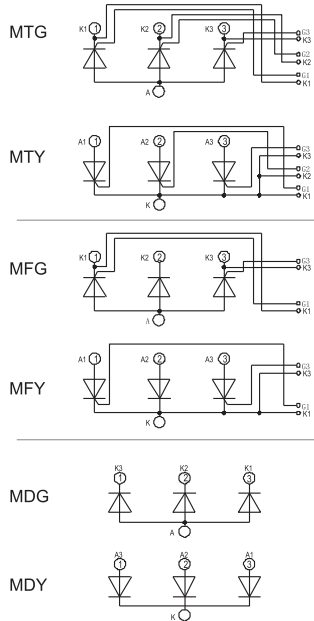
See P67 page table size tolerance

See P67 page table size tolerance

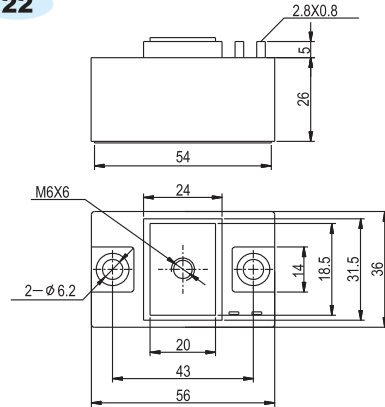
21



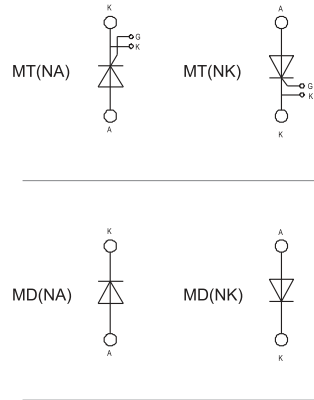
Terminal Torque	4.0N.m	Case Style	208F4
Mounting Torque	6.0N.m	Weight	205g



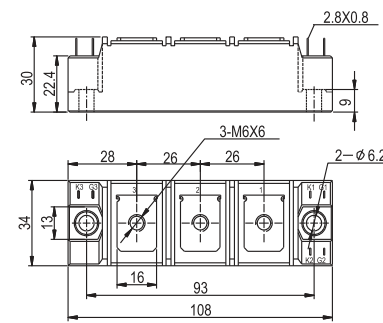
22



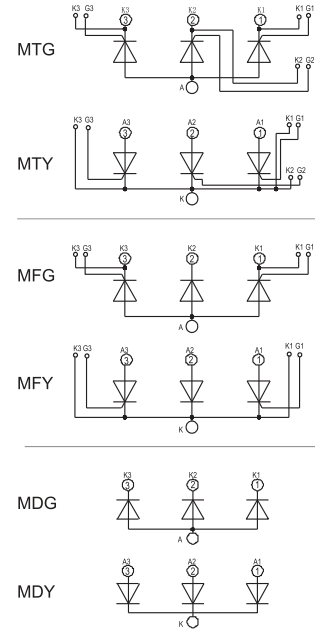
Terminal Torque	6.0N.m	Case Style	210F2
Mounting Torque	6.0N.m	Weight	225g



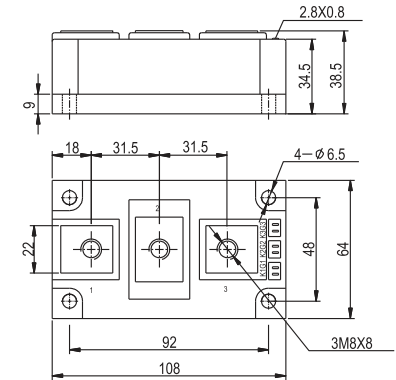
23



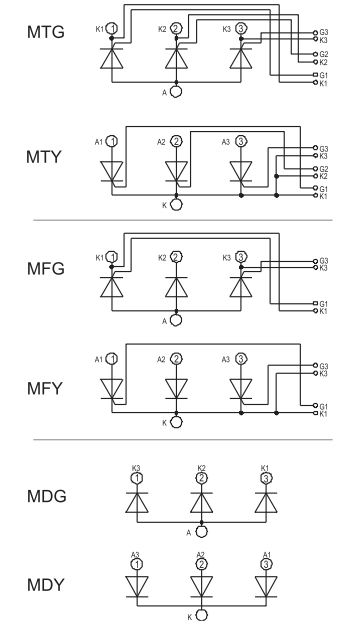
Terminal Torque	6.0N.m	Case Style	213F4
Mounting Torque	6.0N.m	Weight	365g



24



Terminal Torque	12.0N.m	Case Style	404F4
Mounting Torque	6.0N.m	Weight	640g



See P67 page table size tolerance

See P67 page table size tolerance

**25**

Terminal Torque	12.0N.m	Case Style	407F2
Mounting Torque	6.0N.m	Weight	305g

See P67 page table size tolerance

**26**

Terminal Torque	4.0N.m	Case Style	218H5
Mounting Torque	6.0N.m	Weight	180g

**27**

Terminal Torque	4.0N.m	Case Style	218H5
Mounting Torque	6.0N.m	Weight	195g

**28**

Terminal Torque	4.0N.m	Case Style	219H5
Mounting Torque	6.0N.m	Weight	190g

**29**

Terminal Torque	4.0N.m	Case Style	219H5
Mounting Torque	6.0N.m	Weight	215g

**30**

Terminal Torque	4.0N.m	Case Style	220H5
Mounting Torque	6.0N.m	Weight	185g

See P67 page table size tolerance



**31**

Terminal Torque	4.0N.m	Case Style	220H5
Mounting Torque	6.0N.m	Weight	130g

**32**

Terminal Torque	4.0N.m	Case Style	232H5
Mounting Torque	4.0N.m	Weight	130g

**35**

Terminal Torque	4.0N.m	Case Style	221H5
Mounting Torque	6.0N.m	Weight	285g

**36**

Terminal Torque	6.0N.m	Case Style	411H5
Mounting Torque	4.0N.m	Weight	400g

**33**

Terminal Torque	4.0N.m	Case Style	232H5
Mounting Torque	4.0N.m	Weight	145g

**34**

Terminal Torque	4.0N.m	Case Style	221H5
Mounting Torque	6.0N.m	Weight	280g

**37**

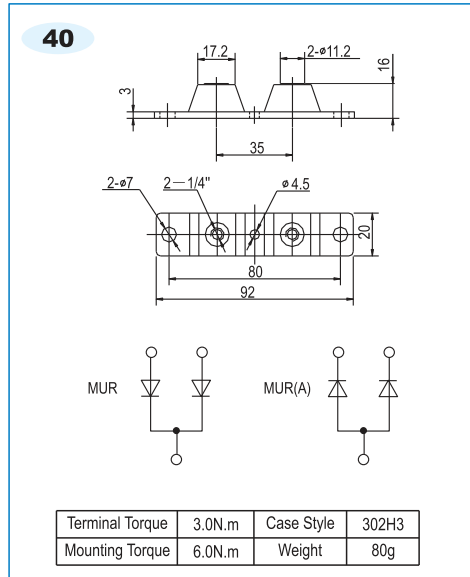
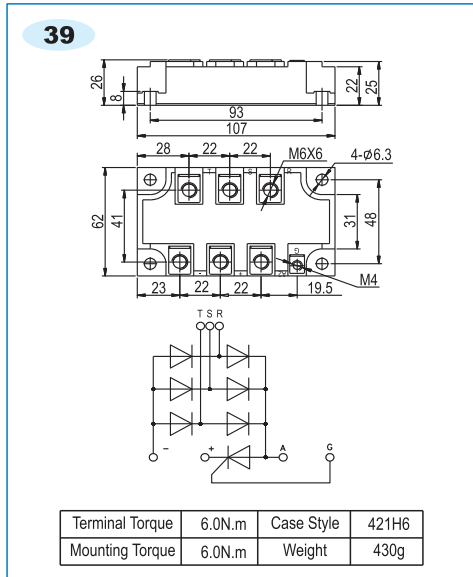
Terminal Torque	6.0N.m	Case Style	411H5
Mounting Torque	4.0N.m	Weight	425g

**38**

Terminal Torque	4.0N.m	Case Style	225H6
Mounting Torque	4.0N.m	Weight	35g

See P67 page table size tolerance

See P67 page table size tolerance



See P67 page table size tolerance

Attached list Tolerance of size table

Outline number	01-06B(P55-58)、26-46(P67-74)	07-24(P58-67)
Distance between mounting hole center of terminal	± 0.3	± 0.5
Height between base-plate bottom to terminal top	± 0.3	± 0.5
Distance between mounting hole center of base-plate	± 0.2	± 0.2
Outline dimension	+0.6 -0	+1.2 -0

- 1.Un-noted tolerances in compliance with GB/T1804-m
- 2.Dimension unit: mm