

MPB16L Series

16mm Metal Pushbutton Switches(LOCK)



SPECIFICATIONS

RATING : 2A/36VDC.
ELECTRICAL LIFE : 100,000 Make-And-Break cycles at full load.
INSULATION RESISTANCE : 1,000MΩ Min. at 500VDC.
DIELECTRIC STRENGTH : 2,000V RMS@sea level.
CONTACT RESISTANCE : 50mΩ Max. @1A/12VDC(Initial value)
OPERATION TEMPERATURE : -20°C~+70°C
TRAVEL: About 2.3mm.
OPERATION PRESSURE : 4.5N±1.5N
INGRESS PROTECTION : IP67
TORQUE : 11.5 kgf · cm
THICKNESS : 6.0mm (Max.)
CAP Keeps same high.
Current limiting resistor is required to limit LED forward current to 20mA.

MATERIALS

BUSHING : Aluminum alloy,Anodized.
BASE : Nylon 6/6.
ACTUATOR : POM.
CAP : PC,Aluminum alloy,Anodized.
SPRING : Steel.
SEALING : Sillicone.
O-Ring : Sillicone.
TERMINAL : Brass,Coin silver,Gold flash plated.
CONTACT : Brass,Coin silver,Gold flash plated.
NUT : Brass(Nickel Plated).

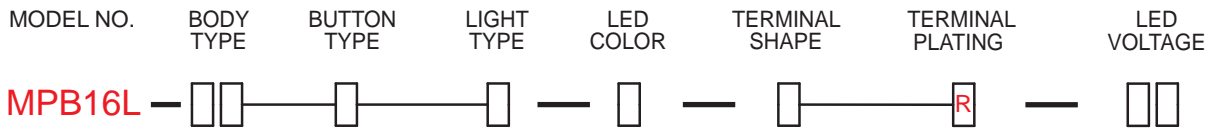


MPB16L Pushbutton Switches

IP 67
 ACCORDING TO
 EN 60529:1991+A1:2001
 IEC 60529:2001



HOW TO ORDER



Body type
CA AL alloy
 (Natural Anodized)
CB AL alloy
 (Black Anodized)

Button type
R Round
E Ring
P Power logo

Light type
E Ring
P Power logo

Terminal shape
J Solder terminal
T1 Wire length 500mm

Terminal plating
R Gold flash

LED color

ITEM NO	COLOR
00	Without LED
SINGLE COLOR LED	
01	White
03	Red
05	Yellow
06	Green
07	Blue
DUAL COLOR LED	
36	Red&Green
37	Red&Blue
71	Blue&White

※ OFF=Without light
 ON=LED Blue light
 Ex : 07
 ※ OFF(Red);ON(Green)
 Ex : 36

Accessories

Resistance (About LED Voltage)	
3V	LED Input Voltage 3VDC (Without Resistance)
6V	LED input 6 VDC,180Ω
12V	LED input 12 VDC,470Ω
24V	LED input 24 VDC,1000Ω

※ ohms value of resistance
 tolerance: ±5%

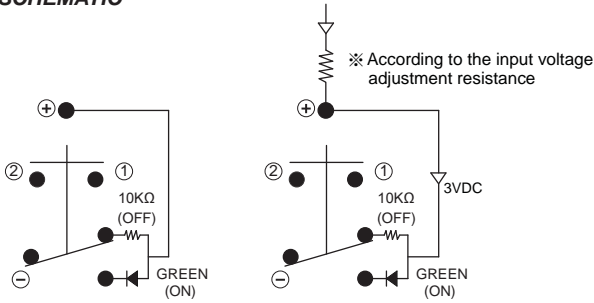
EXAMPLE:
 MPB16L-CARE- 00-JR(Without LED)
 MPB16L-CARE-□□-JR-3V
 LED color

MPB16L Series

16mm Metal Pushbutton Switches(LOCK)

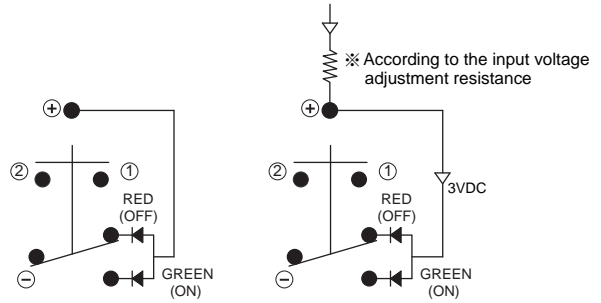
SCHEMATIC / PANEL CUTOUT / HARDWARE

SCHEMATIC



Single Color Led

* Push-OFF, Without light
Push-ON, LED Green light(Latching)

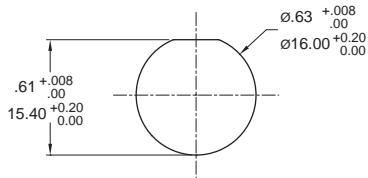


Dual Color Led

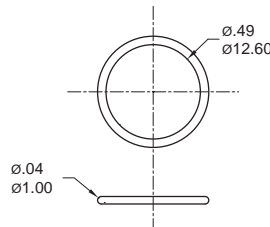
* Push-OFF, LED Red light
Push-ON, LED Green light(Latching)

PANEL CUTOUT

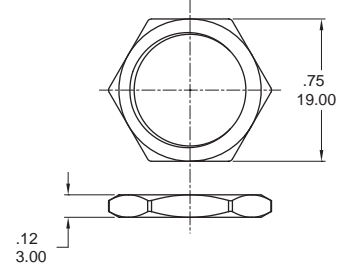
Panel Thickness : 6.0mm Max.



HARDWARE



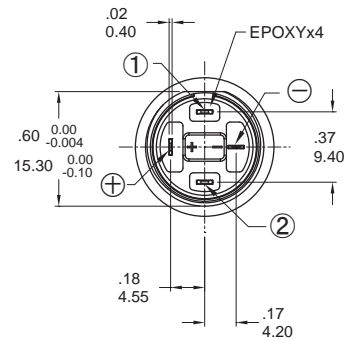
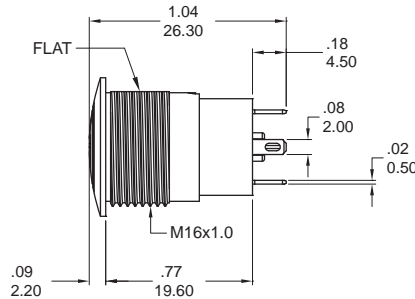
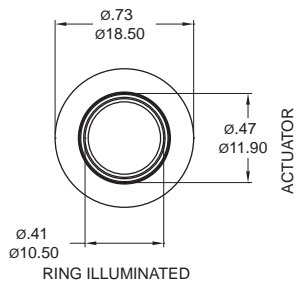
O-RING



NU T

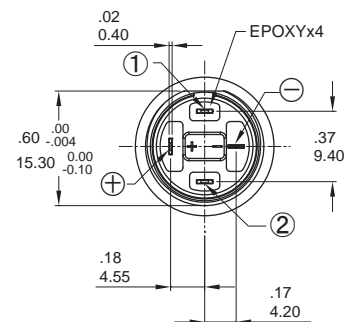
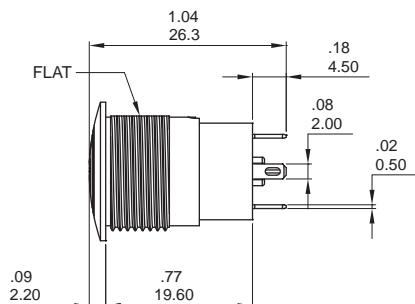
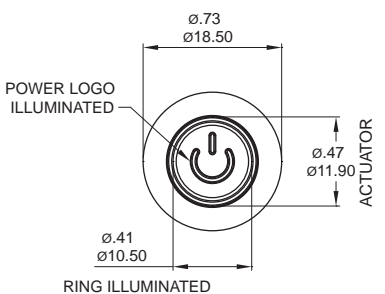
DIMENSION

E Ring



Part No. Shown : MPB16L-CARE-□□-JR-3V

P Power logo



Part No. Shown : MPB16L-CARP-□□-JR-3V