

MW22 Series

22mm High Current Metal Pushbutton Switches



SPECIFICATIONS

RATING : 16A, 26A 250/125VAC.
CONTACT RESISTANCE : 50 mΩ max. @ 1A 12VDC (initial value)
INSULATION RESISTANCE : 100 MΩ min. at 500VDC
DIELECTRIC STRENGTH : 1,500V RMS @ sea level
OPERATION TEMPERATURE : -25°C to 85°C
MECHANICAL LIFE : Momentary 1,000,000 cycles
 Latching 500,000 cycles
ELECTRICAL LIFE : 16A /125&250VAC 50,000 CYCLES
 26A /125&250VAC 10,000 CYCLES
OPERATION PRESSURE : 3.5±1.5N
TRAVEL : About 3.2mm
INGRESS PROTECTION : IP67, IK08(Stainless)
TORQUE: 1~3Nm.

MATERIALS

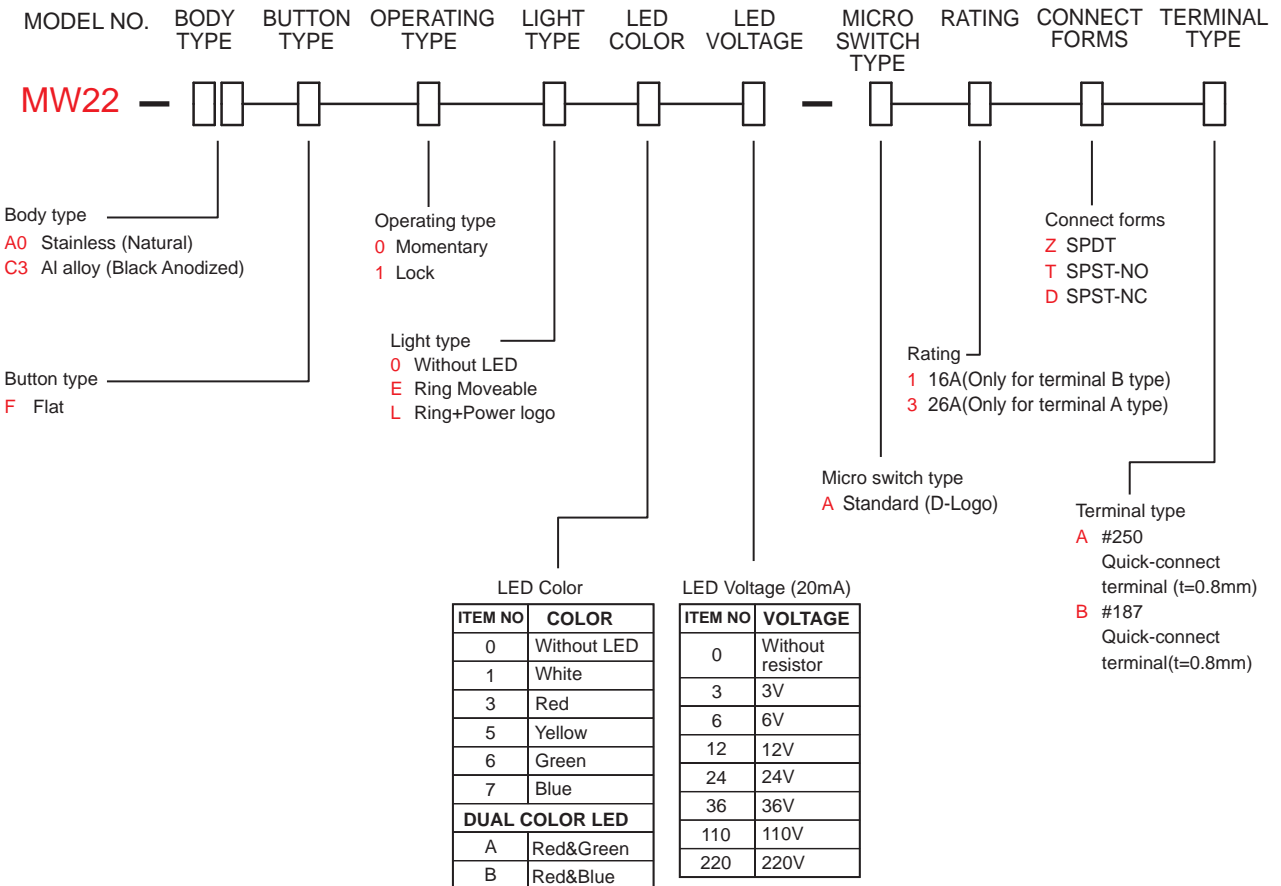
BUSHING : Stainless Steel / Aluminum alloy
BASE : PBT(UL 94-V0) , PC(UL 94-V2)
ACTUATOR : PC ; Stainless Steel / Aluminum alloy
INNER ASSEMBLY : POM / PA66.
SPRING : Steel.
SEALING : Silicone.
O-Ring : Silicone.
TERMINAL: Brass ,Silver plated.
HEX NUT : Nickel plated brass.



IP 67
 ACCORDING TO
 EN 60529:1991+A1:2001
 IEC 60529:2001



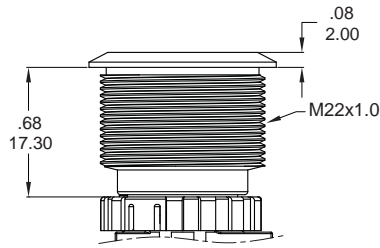
HOW TO ORDER



EXAMPLE:
 MW22-A0R0000-A3ZA (Without LED)
 MW22-A0F0E [] [] -A3ZA
 LED color [] LED voltage []

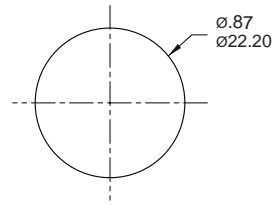
BODY TYPE

A0/C3



PANEL MOUNTING

Max. Panel thickness: 10.0mm[.39]

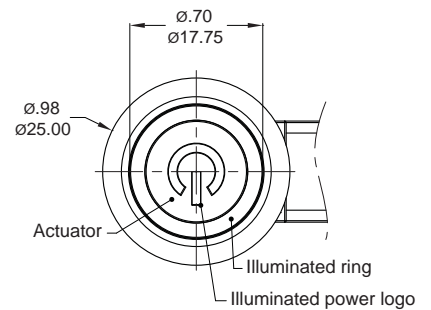
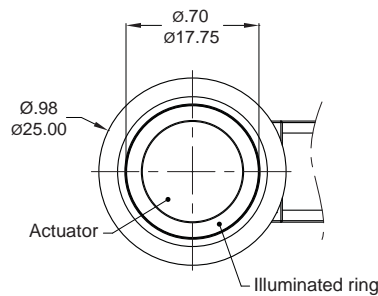
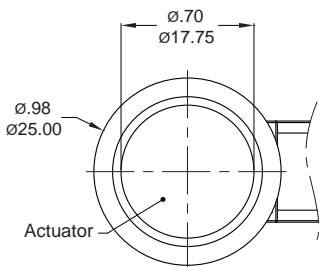


LIGHT TYPE

0 Without LED

E Ring Moveable

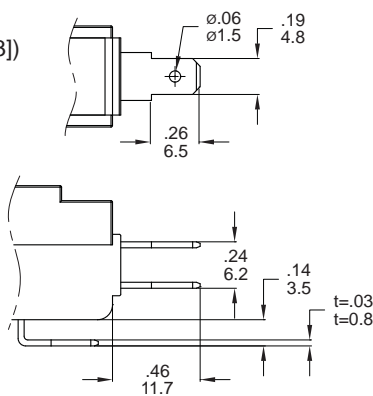
L Ring+Power logo



TERMINAL TYPE

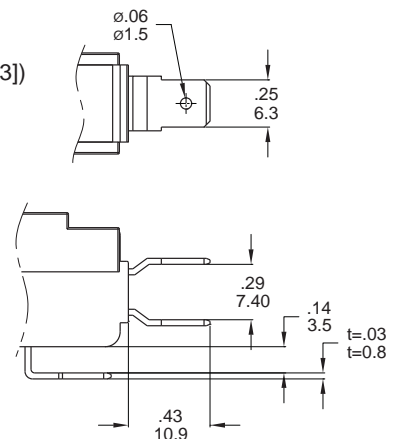
#187 Only 16A

Quick-connect terminal (t=0.8mm[.03])

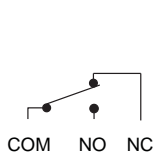


#250 Only 26A

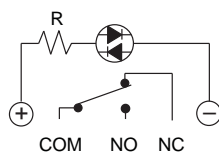
Quick-connect terminal (t=0.8mm[.03])



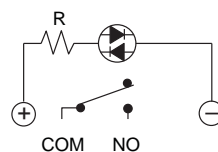
CIRCUIT



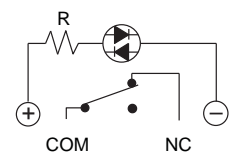
Non-LED



SPDT



SPST-NO



SPST-NC

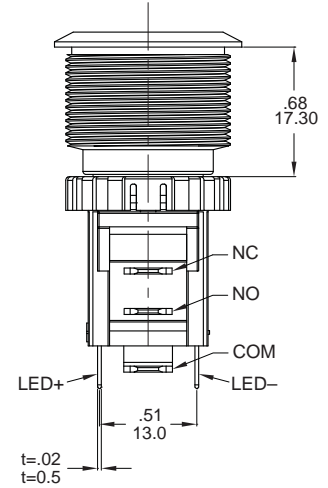
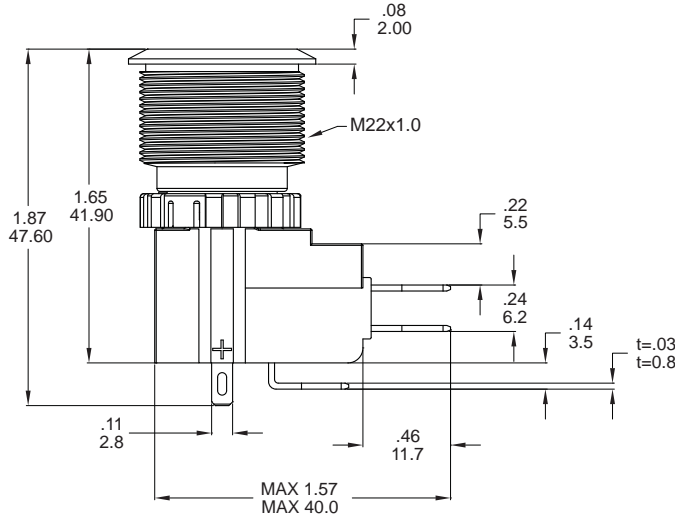
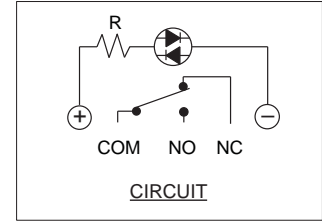
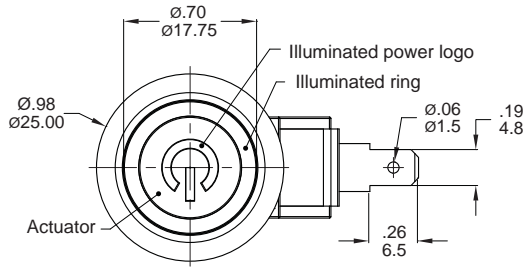


MW22 Series

22mm High Current Metal Pushbutton Switches

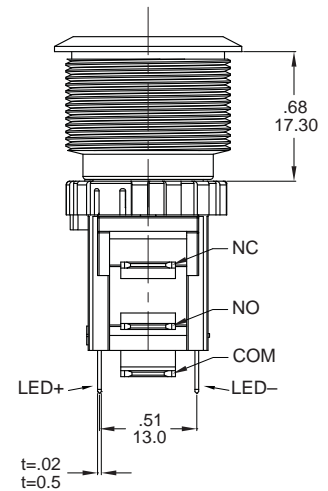
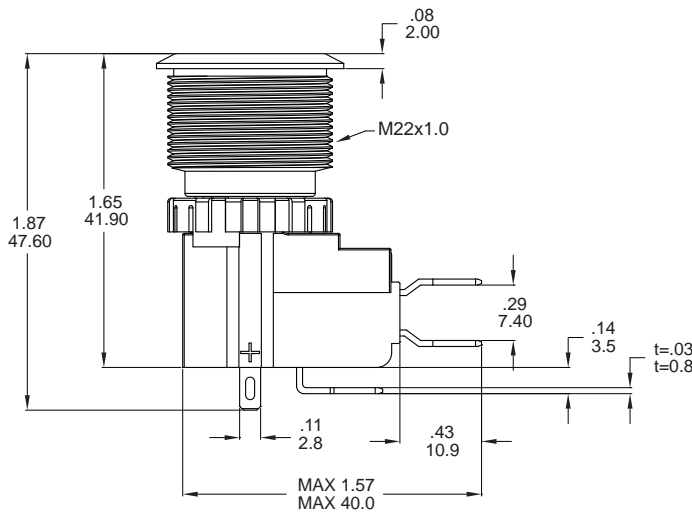
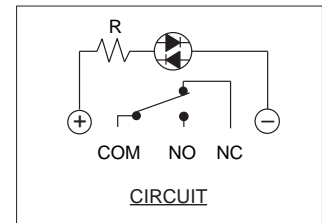
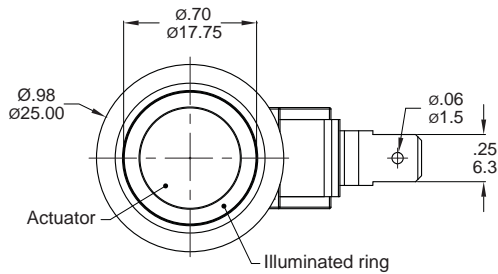
DIMENSION

L Ring+Power logo



Part No. Shown : MW22-A0F1L7□-A1ZB

E Ring Moveable



Part No. Shown : MW22-A0F0E6□-A3ZA



MW22 Pushbutton Switches