

## SPECIFICATIONS

**CONTACT RATING:** 0.4 VA max. @ 20 V AC or DC.

**MECHANICAL & ELECTRICAL LIFE:**

100,000 actuations min. at full load.

**CONTACT RESISTANCE:** 200mΩmax. initial @ 2-4VDC, 100mA .

**INSULATION RESISTANCE:** 100 MΩ min.

**DIELECTRIC STRENGTH:** 500 Vrms min. @sea level.

**OPERATING TEMPERATURE:** -30°C to 85°C.

## MATERIALS

**HOUSING:** Nylon 6/6 (UL 94V-0)

**ACTUATOR:** Nylon 6/6 (UL 94V-0)

**MOVABLE CONTACT:** Copper alloy, gold plate over nickel plate.

**FIXED CONTACT:** Brass, gold plate over nickel plate.

**WIRE:** UL 3385-24 AWG.



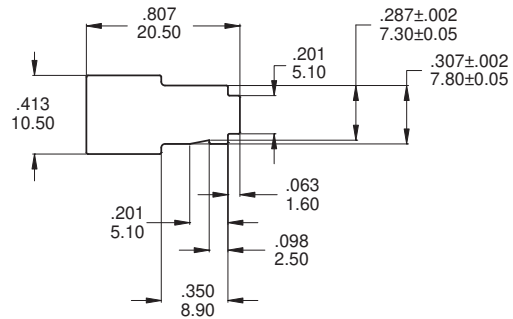
## HOW TO ORDER

MODEL NO.	ACTUATOR	FUNCTION	WIRE LENGTH	HEAT SHRINK TUBE	HOUSING	JUMP
<b>PS92</b>						
	Actuator	Function	Wire length	Heat shrink tube	Housing	Jump
	1 10.40 high, Flat	2 ON - MOM.	120 120mm	0 No	0 No	0 No
	2 10.00 high, Round			1 Yes	1 2P	1 1.3
	3 9.50 high, Flat				2 2P Lock	2 2.3
					3 3P	
					4 3P Lock	

## SWITCH FUNCTION

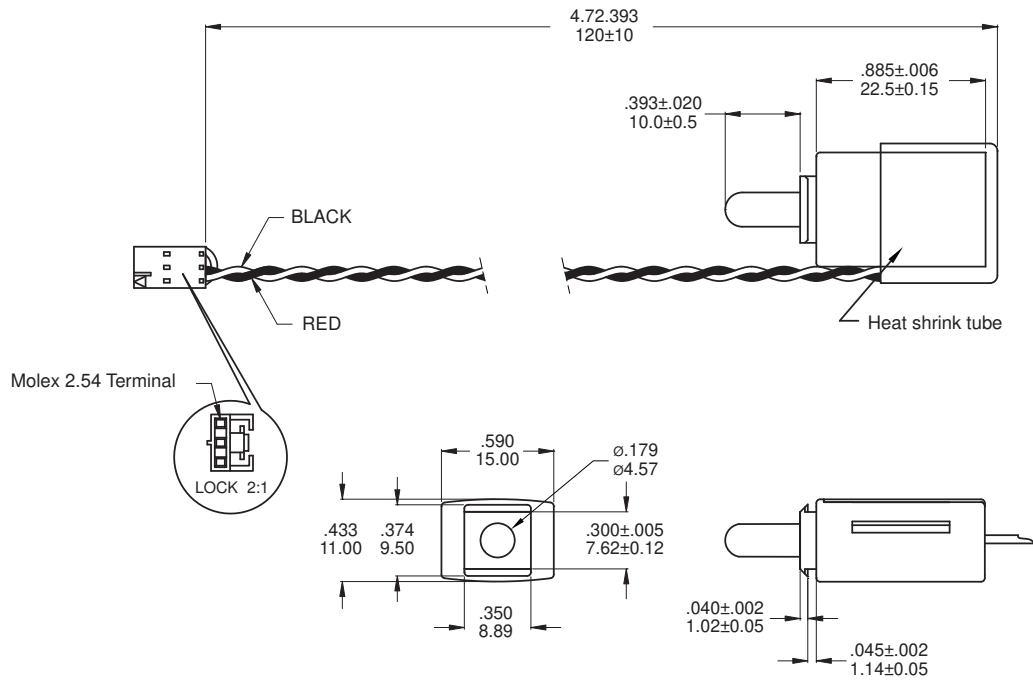
MODEL NO.	POS.1	POS.2
PAS6	ON	MOM
SCHEMATIC		

MOM=MOMENTARY



PANEL CUTOUT  
(THICKNESS 1mm)

Part No. Shown : PS9222-1201-41



PS9  
Pushbutton Switches

Part No. Shown : PS9212-1200-00

