

# RSC Series

Rotary Switches

## SPECIFICATIONS

- MAXIMUM RATING :** 50VDC. 100mA.
- MINIMUM RATING :** 20VDC. 10A.
- CONTACT RESISTANCE :** 100mΩ MAX.
- INSULATION RESISTANCE :** 100VDC-1000M MIN.
- WITHSTAND VOLTAGE :** 250VAC-1 MINUTE
- ROTARY TORQUE :** 40~200gf.cm
- TOTAL ROTARY ANGLE :** 360° (4,10,16 STEPS)
- LIFE CYCLE :** 10,000 STEPS

## HOW TO ORDER

RSC - 1 A R M

Rotary switch

**Code type :**

- R: Real code
- C: Complementary code

**Positions of number :**

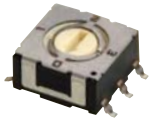
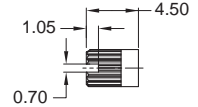
- 4: 4 Positions
- A: 10 Positions
- F: 16 Positions

**Rotor style:**

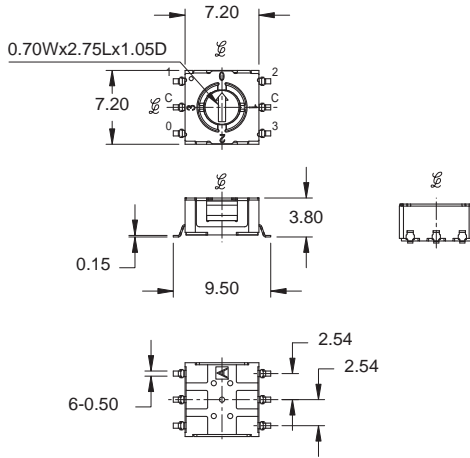


**Terminal type :**

- K: Through hole & Kink type
- H: Through hole type
- M: SMT type



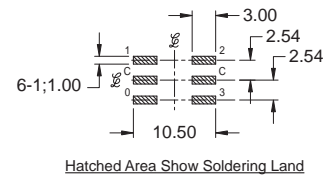
RSC-14RM



CIRCUIT CHART

POSITIONS	CODE			
	C	0	1	2
1	•	•	•	•
2	•	•	•	•
3	•	•	•	•
4	•	•	•	•

P.C.B. LAYOUT

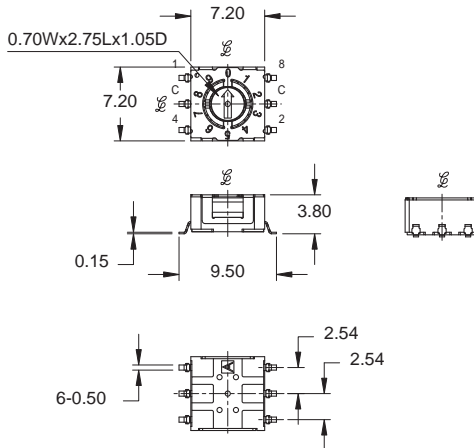


NO.	PART NAME	MATERIAL	Q'TY	FINISHING
1	FRAM	LCP+G	1	
2	COVER	SUS	1	
3	ROTOR	PA+G	1	Au PLATED
4	TERMINAL	PBS	6	Au PLATED
5	CONTACT PLATE	BeCu	1	
6	O-RING	SILICONE RUBBER	1	
7	SPACER	SUS	1	

RSC  
Rotary Switches



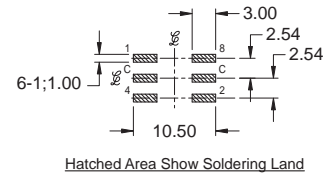
RSC-1ARM



CIRCUIT CHART

POSITIONS	CODE			
	C	1	2	4
1	•	•	•	•
2	•	•	•	•
3	•	•	•	•
4	•	•	•	•
5	•	•	•	•
6	•	•	•	•
7	•	•	•	•
8	•	•	•	•

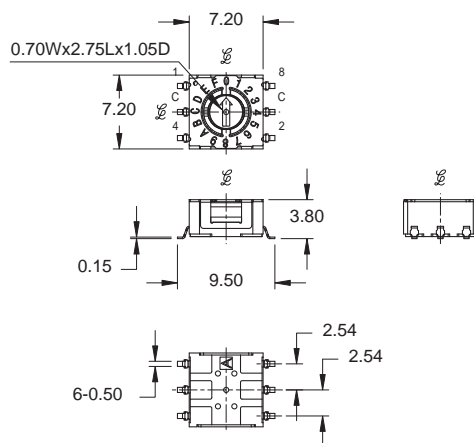
P.C.B. LAYOUT



NO.	PART NAME	MATERIAL	Q'TY	FINISHING
1	FRAM	LCP+G	1	
2	COVER	SUS	1	
3	ROTOR	PA+G	1	Au PLATED
4	TERMINAL	PBS	6	Au PLATED
5	CONTACT PLATE	BeCu	1	
6	O-RING	SILICONE RUBBER	1	
7	SPACER	SUS	1	



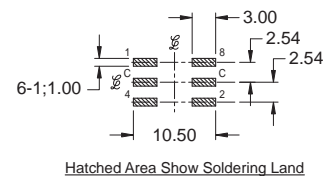
RSC-1FRM



CIRCUIT CHART

POSITIONS	CODE			
	C	1	2	4
0	•	•	•	•
1	•	•	•	•
2	•	•	•	•
3	•	•	•	•
4	•	•	•	•
5	•	•	•	•
6	•	•	•	•
7	•	•	•	•
8	•	•	•	•

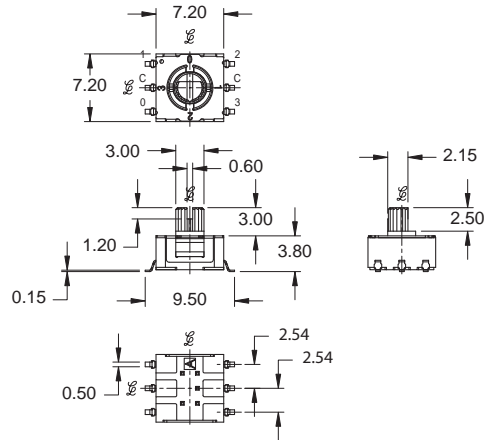
P.C.B. LAYOUT



NO.	PART NAME	MATERIAL	Q'TY	FINISHING
1	FRAM	LCP+G	1	
2	COVER	SUS	1	
3	ROTOR	PA+G	1	Au PLATED
4	TERMINAL	PBS	6	Au PLATED
5	CONTACT PLATE	BeCu	1	
6	O-RING	SILICONE RUBBER	1	
7	SPACER	SUS	1	



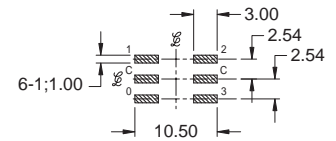
RSC-24RM



CIRCUIT CHART



P.C.B. LAYOUT

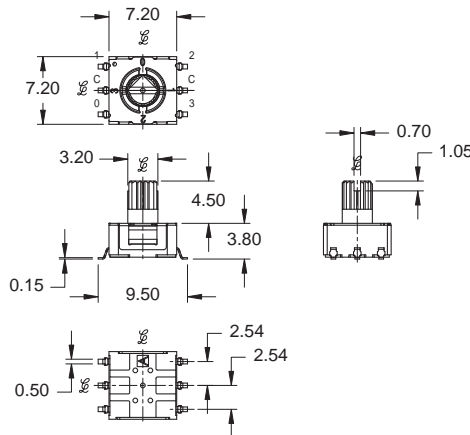


Hatched Area Show Soldering Land

NO.	PART NAME	MATERIAL	QTY	FINISHING
1	FRAM	PA+G	1	
2	COVER	SUS	1	
3	ROTOR	LCP+G	1	Au PLATED
4	TERMINAL	PBS	6	Au PLATED
5	CONTACT PLATE	BeCu	1	
6	O-RING	SILICONE RUBBER	1	
7	SPACER	SUS	1	



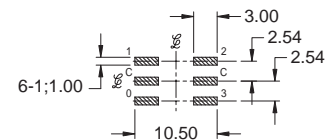
RSC-34RM



CIRCUIT CHART

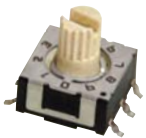


P.C.B. LAYOUT

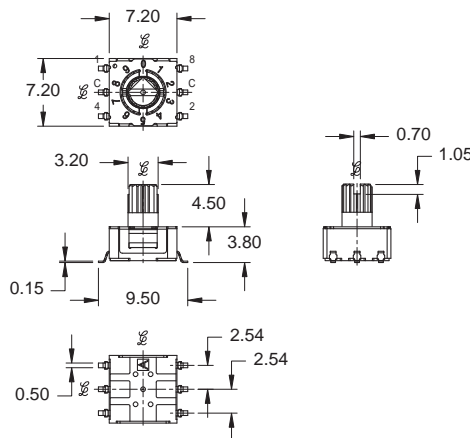


Hatched Area Show Soldering Land

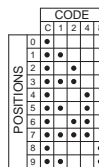
NO.	PART NAME	MATERIAL	QTY	FINISHING
1	FRAM	LCP+G	1	
2	COVER	SUS	1	
3	ROTOR	PA+G	1	Au PLATED
4	TERMINAL	PBS	6	Au PLATED
5	CONTACT PLATE	BeCu	1	
6	O-RING	SILICONE RUBBER	1	
7	SPACER	SUS	1	



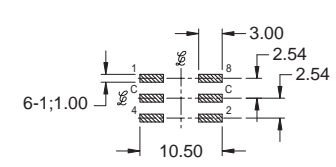
RSC-3ARM



CIRCUIT CHART



P.C.B. LAYOUT

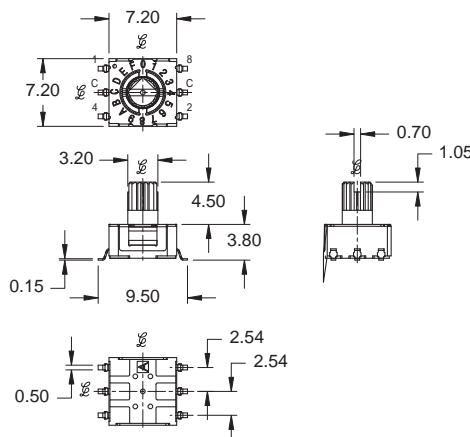


Hatched Area Show Soldering Land

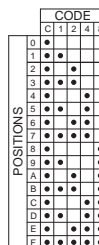
NO.	PART NAME	MATERIAL	QTY	FINISHING
1	FRAM	LCP+G	1	
2	COVER	SUS	1	
3	ROTOR	PA+G	1	Au PLATED
4	TERMINAL	PBS	6	Au PLATED
5	CONTACT PLATE	BeCu	1	
6	O-RING	SILICONE RUBBER	1	
7	SPACER	SUS	1	



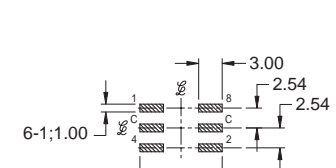
RSC-3FRM



CIRCUIT CHART



P.C.B. LAYOUT



Hatched Area Show Soldering Land

NO.	PART NAME	MATERIAL	QTY	FINISHING
1	FRAM	LCP+G	1	
2	COVER	SUS	1	
3	ROTOR	PA+G	1	Au PLATED
4	TERMINAL	PBS	6	Au PLATED
5	CONTACT PLATE	BeCu	1	
6	O-RING	SILICONE RUBBER	1	
7	SPACER	SUS	1	