

SPECIFICATIONS

MECHANICAL

Mechanical Life:10,000 operation cycles.
 Operation Force:350gf.
 Operation Temperature Range:-20° C to +70° C
 Storage Temperature Range:-40° C to +85° C.
 Vibration Test:MIL-STD-202F METHOD 201A.
 Frequency:10-55-10Hz /1minute.
 Directions:X,Y,Z, three mutually
 Perpendicular directions.
 Time:2 hours each direction.
 High reliability.
 Shock Test: MIL-STD-202F METHOD 213B.
 CONDITION A.
 Gravity:50G(peak value). 11msec.
 Direction and times: 6 sides and 3 times
 in each direction.

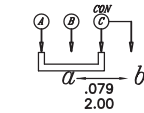
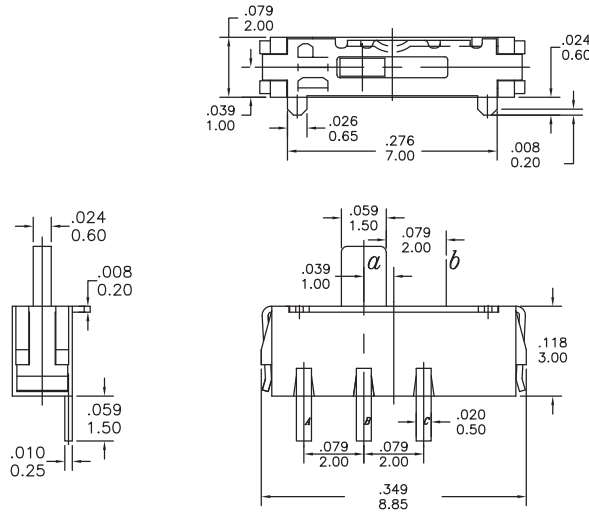
ELECTRICAL

Electrical Life:10,000 operations min.
 Non-Switching Rating:100mA, 50VDC.
 Switching Rating:25mA, 24VDC.
 Contact resistance:100mΩ max.
 Insulation Resistance:100mΩ min.(500VDC)
 Dielectric Strength:500VAC / 1minute.
 Capacitance:50pF max.
 Circuit:1P2T, 1P3T

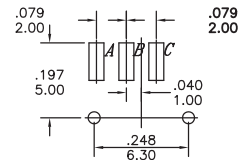
MODEL OPTIONS



SS3-CM



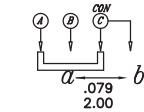
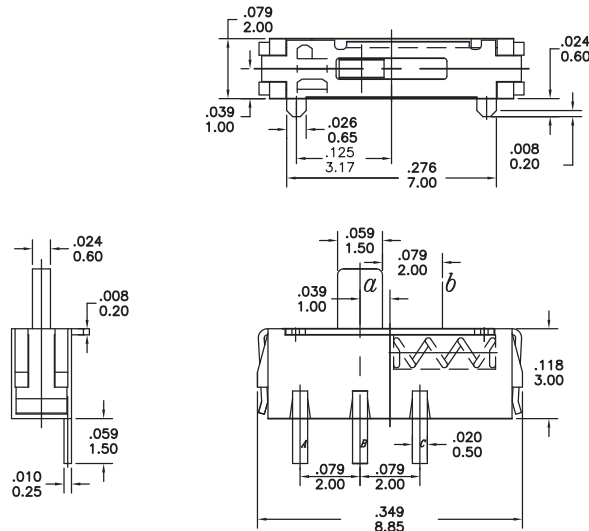
CIRCUIT DIAGRAM



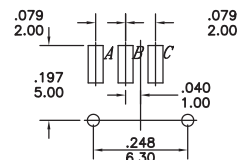
PCB MOUNTING



SS3-CMS

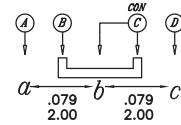


CIRCUIT DIAGRAM



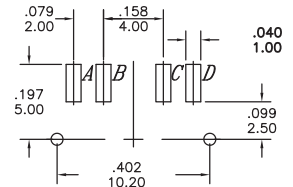
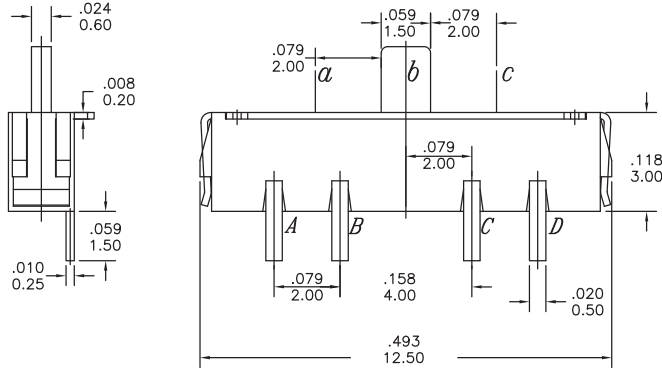
PCB MOUNTING

MODEL OPTIONS

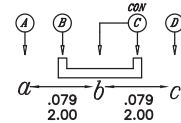
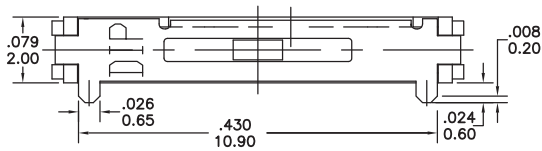


CITCUIT DIAGRAM

SS4-CM

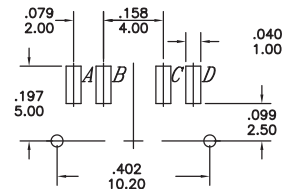
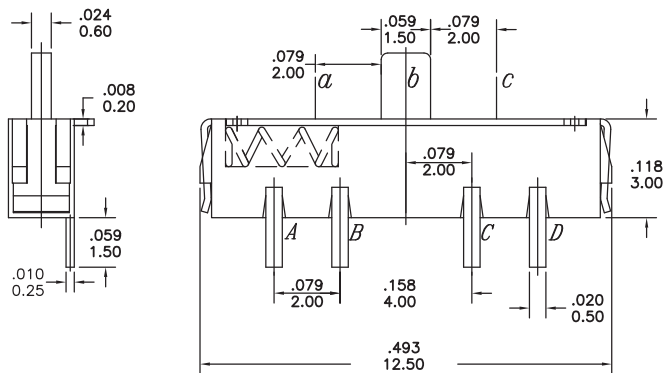


PCB MOUNTING



CITCUIT DIAGRAM

SS4-CMS



PCB MOUNTING

SS Series

Slide Switches (SMD / DIP)



SPECIFICATIONS

RATING: DC 12V 100mA

FUNCTION: 1P2T

CONTACT RESISTANCE: 100 mΩ MAX.

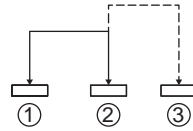
INSULATION RESISTANCE: 50 MΩ min.

OPERATION FORCE: 150gf±50gf

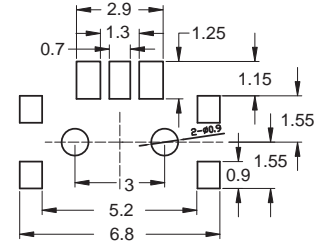
TRAVEL TO CLOSURE: 1.3mm±0.2mm

PRACTICAL TEMPERATURE RANEG: -10°C to +50°C

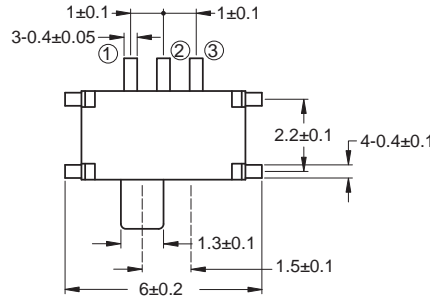
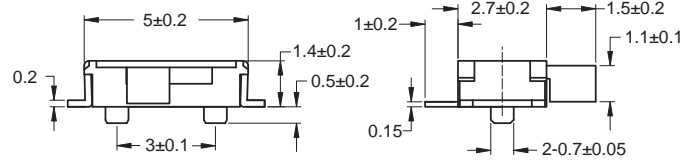
* Manufacturing specification would be accordance with WT0158



CIRCUIT DIAGRAM



P.C.B LAND DIMENSION



PART NO.(P/N.)

SS1204AME - * LLR - R

1P2T SLIDE SW
RIGHT ANGLE
SMD

STEM COLOR
□=WHITE
B=BLACK

PACKING
R=REEL



SPECIFICATIONS

RATING: 0.3A 50V DC

FUNCTION: 1P2T

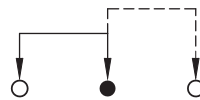
TIMING: NON-SHORTING

CONTACT RESISTANCE: 100 mΩ MAX.

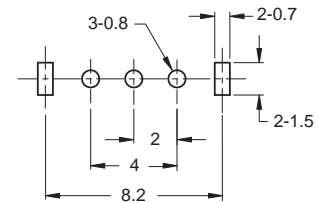
INSULATION RESISTANCE: 100 MΩ min.

OPERATION FORCE: 250gf±100gf

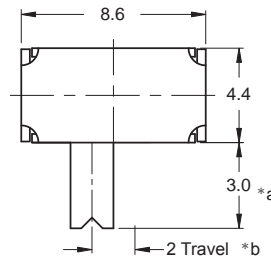
PRACTICAL TEMPERATURE RANEG: -16°C to +60°C



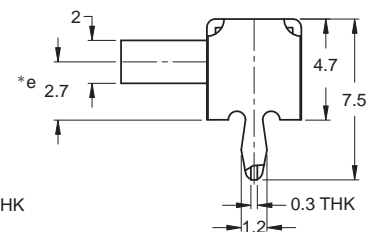
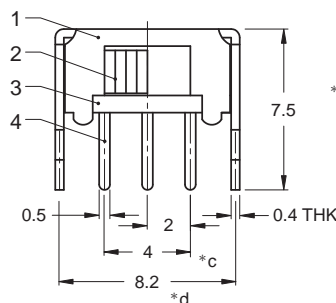
SCHMATIC
(NON-SHORTING)



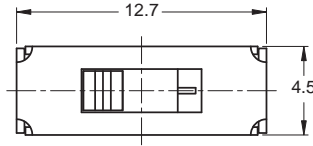
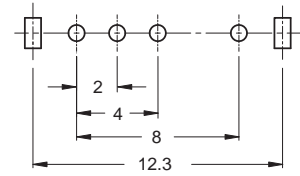
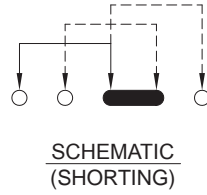
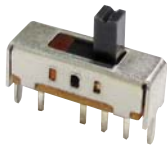
P.C.B LAYOUT
BOTTOM VIEW



6	Spring plate	SUS	1	Ag plated
5	Contact clip	PBS strip	1	Ag plated
4	Terminal	Brass strip	3	Ag plated
3	Base	Phenolic resin	1	Natural
2	Knob	POM	1	Black
1	Frame	Steel strip	1	Ni plated
NO.	PARTS	MATERIALS	QTY	FINISH



Part No. Shown : SS1209AHP-V3-LLR-B



**P.C.B LAYOUT
BOTTOM VIEW**

SPECIFICATIONS

RATING: 0.3A 50V DC

FUNCTION: 1P3T

TIMING: SHORTING

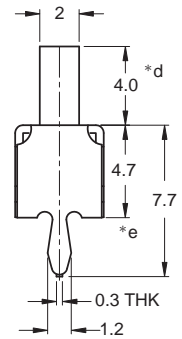
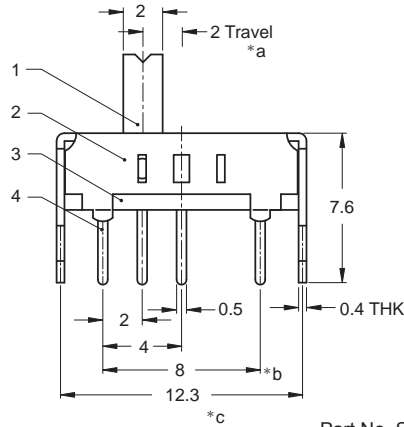
CONTACT RESISTANCE: 100 mΩ MAX.

INSULATION RESISTANCE: 100 MΩ min.

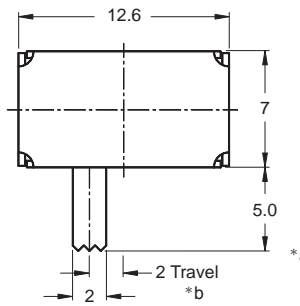
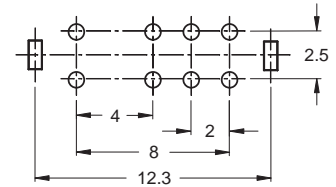
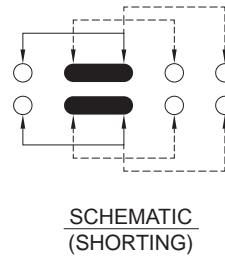
OPERATION FORCE: 250gf±100gf

PRACTICAL TEMPERATURE RANEG: -16°C to +60°C

NO.	PARTS	MATERIALS	QTY	FINISH
6	Spring plate	SUS	1	Natural
5	Contact clip	PBS strip	1	Ag plated
4	Terminal	Brass strip	4	Ag plated
3	Base	Phenolic resin	1	Natural
2	Frame	Steel strip	1	Ni plated
1	Knob	POM	1	Black



Part No. Shown : SS1305VHP-V4-LLR-B



**P.C.B LAYOUT
BOTTOM VIEW**

SPECIFICATIONS

RATING: 0.3A 50V DC

FUNCTION: 2P3T

TIMING: SHORTING

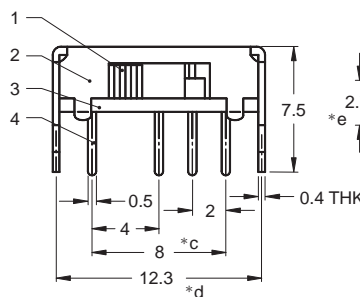
CONTACT RESISTANCE: 100 mΩ MAX.

INSULATION RESISTANCE: 100 MΩ min.

OPERATION FORCE: 300gf±100gf

PRACTICAL TEMPERATURE RANEG: -16°C to +60°C

NO.	PARTS	MATERIALS	QTY	FINISH
6	Spring plate	SUS	1	Natural
5	Contact clip	PBS strip	2	Ag plated
4	Terminal	Brass strip	8	Ag plated
3	Base	Phenolic resin	1	Natural
2	Frame	Steel strip	1	Ni plated
1	Knob	POM	1	Black



Part No. Shown : SS2303AHP-G5-LLR-B

