

WPM Series

Push Switches

SPECIFICATIONS

RATING:0.3A 50V DC

Contact Resistance:30mΩ

Insulation Resistance:100V DC 1Min 100mΩ

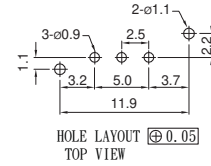
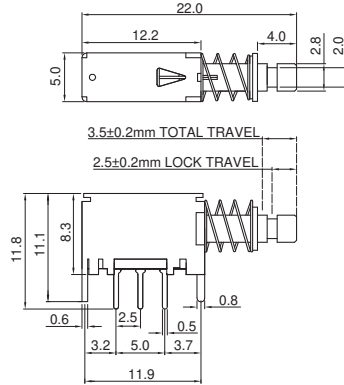
Withstand Voltage:AC 500V 1Min 0.5mA 1 Min

Operating Force:160gf±100gf

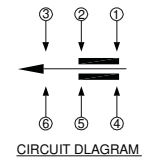
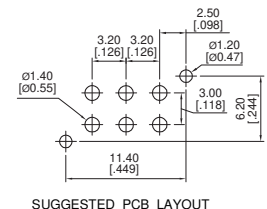
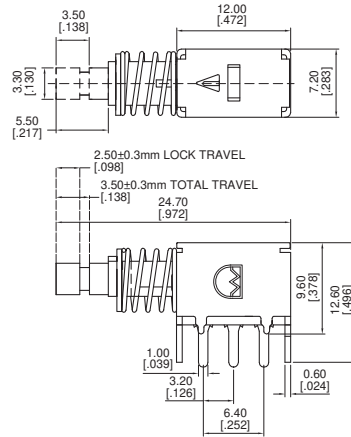
Life Test:10,000 Cycle 15~18 Cycle/Min



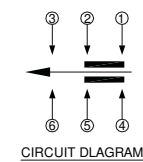
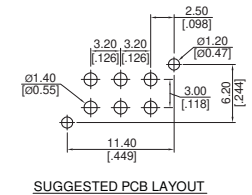
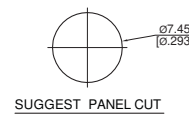
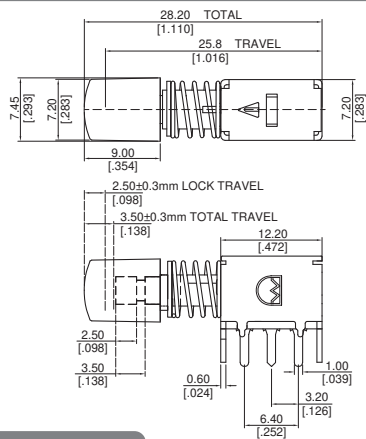
WPM-1PLB



WPM-2PLBY

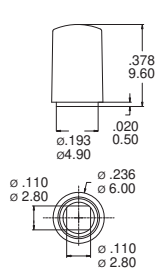


WPM-2PLBY-R759B

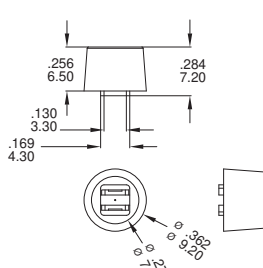


CAP OPTIONS

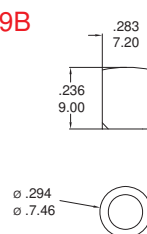
R69B



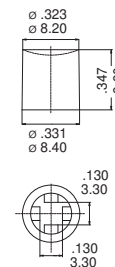
R837B



R759B



R88B



SPECIFICATIONS

LIFE TEST:WITHOUT LOADING 10000cycles at a speed
of 15-18cycles

CONTACT RESISTANCE:30mΩ max

INSULATION RESISTANCE:100MΩ min

DIELETRIC STRENGTH:500V AC FOR 1 MIN

OPERATING TEMPERATURE:-16°C~+60°C

RATING:DC 1.0A 12V

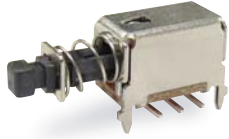
FUNCTION:2P2T

TIMING:NON-SHORTING

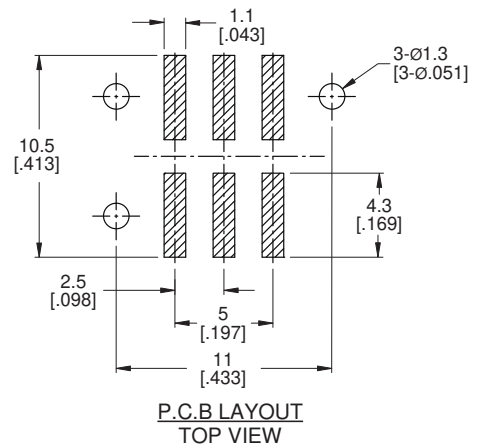
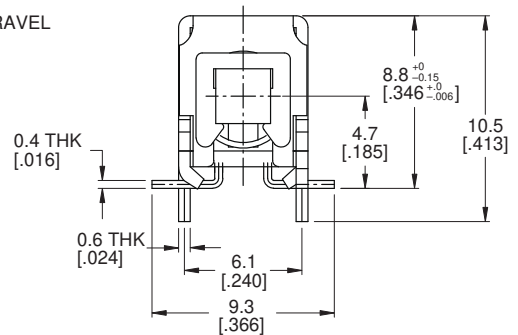
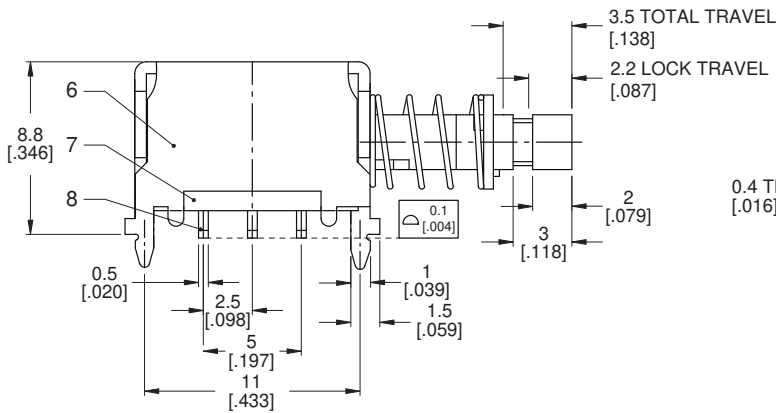
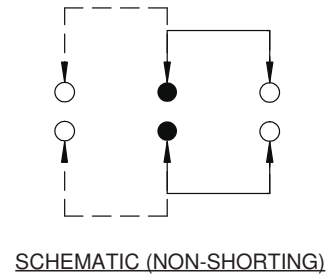
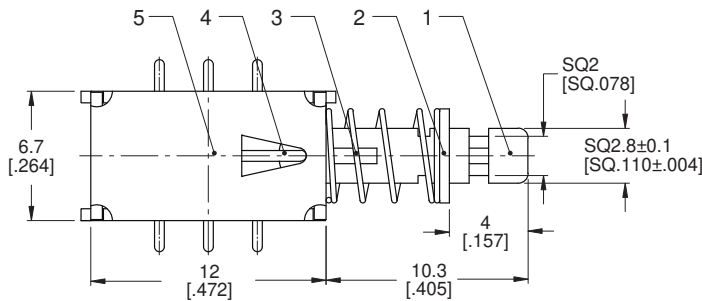
OPERATING FORCE:250gf±100gf

LOCK TRAVEL:2.5±0.2

TOTAL TRAVEL:3.5±0.25



DIMENSION



Part No. Shown : PS22E08000

9	CONTACT CLIP	PBS C5210R-EH	2	Ag PLATED
8	TERMINAL	BRASS STRIP	6	Ag PLATED
7	BASE	PHENOLIC RESIN	1	
6	FRAME	STEEL STRIP	1	Ni PLATED
5	SPRING PLATE	PBS STRIP	1	NATURAL
4	CAM STICK	BRASS WIRE	1	Ni PLATED
3	SPRING	STEEL WIRE	1	Ni PLATED
2	BLOCK	STEEL STRIP	1	Ni PLATED
1	KNOB	LCP	1	BLACK
NO.	PARTS	MATERIALS	Q'TY	FINISHING